

**SAMSUNG**

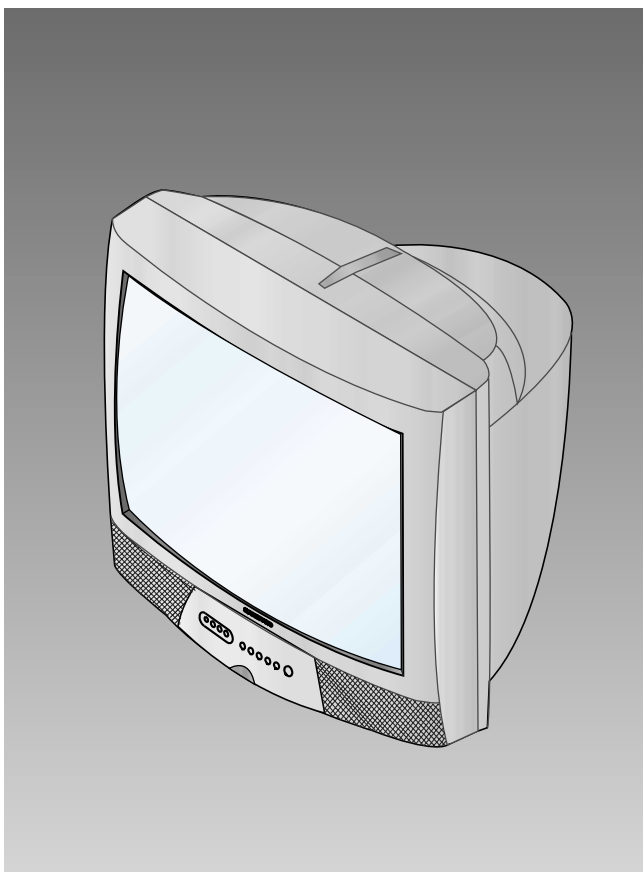
## COLOR TELEVISION RECEIVER

Chassis : KS2A(N)

Model : TXK2554X/XAA TXK2566X/XAA  
TXK2567X/XAA TXK2550X/XAC  
TXK2554X/XAC TXK2566X/XAC  
TXK2567X/XAC

# **SERVICE** *Manual*

### COLOR TELEVISION RECEIVER



### CONTENTS

1. Precautions
2. Reference Information
3. Specifications
4. Alignment and Adjustments
5. Troubleshooting
6. Exploded Views and Parts List
7. Electrical Parts List
8. Block Diagrams
9. Wiring Diagram
10. Schematic Diagrams



**ELECTRONICS**

## 1. Precautions

Follow these safety, servicing and ESD precautions to prevent damage and protect against potential hazards such as electrical shock and X-rays.

### 1-1 Safety Precautions

1. Be sure that all of the built-in protective devices are replaced. Restore any missing protective shields.
2. When reinstalling the chassis and its assemblies, be sure to restore all protective devices, including: nonmetallic control knobs and compartment covers.
3. Make sure that there are no cabinet openings through which people—particularly children—might insert fingers and contact dangerous voltages. Such openings include the spacing between the picture tube and the cabinet mask, excessively wide cabinet ventilation slots, and improperly fitted back covers.

If the measured resistance is less than 1.0 megohm or greater than 5.2 megohms, an abnormality exists that must be corrected before the unit is returned to the customer.

4. Leakage Current Hot Check (Figure 1-1):  
Warning: Do not use an isolation transformer during this test. Use a leakage-current tester or a metering system that complies with American National Standards Institute (ANIS C101.1, Leakage Current for Appliances), and Underwriters Laboratories (UL Publication UL1410, 59.7).
5. With the unit completely reassembled, plug the AC line cord directly into the power outlet. With the unit's AC switch first in the ON position and then OFF, measure the current between a known earth ground (metal water pipe, conduit, etc.) and all exposed metal parts, including: antennas, handle brackets, metal cabinets, screwheads and control shafts. The current measured should not exceed 0.5 milliamp. Reverse the power-plug prongs in the AC outlet and repeat the test.

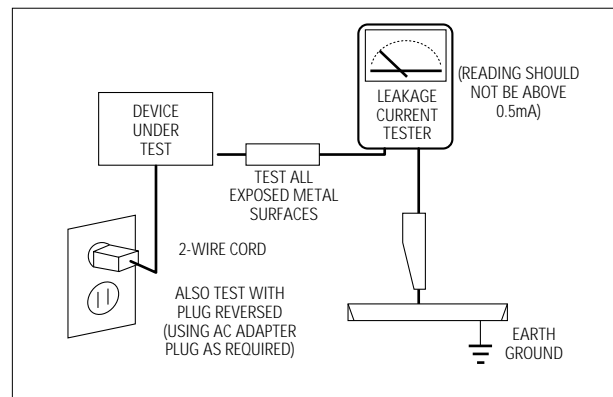


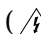
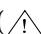
Fig. 1-1 AC Leakage Test

6. Antenna Cold Check:  
With the unit's AC plug disconnected from the AC source, connect an electrical jumper across the two AC prongs. Connect one lead of the ohmmeter to an AC prong. Connect the other lead to the coaxial connector.
7. X-ray Limits:  
The picture tube is especially designed to prohibit X-ray emissions. To ensure continued X-ray protection, replace the picture tube only with one that is the same type as the original. Carefully reinstall the picture tube shields and mounting hardware; these also provide X-ray protection.
8. High Voltage Limits:  
High voltage must be measured each time servicing is done on the B+, horizontal deflection or high voltage circuits. Correct operation of the X-ray protection circuits must be reconfirmed whenever they are serviced.  
(X-ray protection circuits also may be called "horizontal disable" or "hold-down".)

Heed the high voltage limits. These include the X-ray Protection Specifications Label, and the Product Safety and X-ray Warning Note on the service data schematic.

## 1-1 Safety Precautions (Continued)

---

9. High voltage is maintained within specified limits by close-tolerance, safety-related components and adjustments. If the high voltage exceeds the specified limits, check each of the special components.
10. Design Alteration Warning:  
Never alter or add to the mechanical or electrical design of this unit. Example: Do not add auxiliary audio or video connectors. Such alterations might create a safety hazard. Also, any design changes or additions will void the manufacturer's warranty.
11. Hot Chassis Warning:  
Some TV receiver chassis are electrically connected directly to one conductor of the AC power cord. If an isolation transformer is not used, these units may be safely serviced only if the AC power plug is inserted so that the chassis is connected to the ground side of the AC source.  
  
To confirm that the AC power plug is inserted correctly, do the following: Using an AC voltmeter, measure the voltage between the chassis and a known earth ground. If the reading is greater than 1.0V, remove the AC power plug, reverse its polarity and reinsert. Re-measure the voltage between the chassis and ground.
12. Some TV chassis are designed to operate with 85 volts AC between chassis and ground, regardless of the AC plug polarity. These units can be safely serviced only if an isolation transformer inserted between the receiver and the power source.
13. Some TV chassis have a secondary ground system in addition to the main chassis ground. This secondary ground system is not isolated from the AC power line. The two ground systems are electrically separated by insulating material that must not be defeated or altered.
14. Components, parts and wiring that appear to have overheated or that are otherwise damaged should be replaced with parts that meet the original specifications. Always determine the cause of damage or overheating, and correct any potential hazards.
15. Observe the original lead dress, especially near the following areas: Antenna wiring, sharp edges, and especially the AC and high voltage power supplies. Always inspect for pinched, out-of-place, or frayed wiring. Do not change the spacing between components and the printed circuit board. Check the AC power cord for damage. Make sure that leads and components do not touch thermally hot parts.
16. Picture Tube Implosion Warning:  
The picture tube in this receiver employs "integral implosion" protection. To ensure continued implosion protection, make sure that the replacement picture tube is the same as the original.
17. Do not remove, install or handle the picture tube without first putting on shatterproof goggles equipped with side shields. Never handle the picture tube by its neck. Some "in-line" picture tubes are equipped with a permanently attached deflection yoke; do not try to remove such "permanently attached" yokes from the picture tube.
18. Product Safety Notice:  
Some electrical and mechanical parts have special safety-related characteristics which might not be obvious from visual inspection. These safety features and the protection they give might be lost if the replacement component differs from the original—even if the replacement is rated for higher voltage, wattage, etc.  
  
Components that are critical for safety are indicated in the circuit diagram by shading, () or (). Use replacement components that have the same ratings, especially for flame resistance and dielectric strength specifications. A replacement part that does not have the same safety characteristics as the original might create shock, fire or other hazards.

## 1-2 Servicing Precautions

---

Warning1: First read the "Safety Precautions" section of this manual. If some unforeseen circumstance creates a conflict between the servicing and safety precautions, always follow the safety precautions.

Warning2: An electrolytic capacitor installed with the wrong polarity might explode.

1. Servicing precautions are printed on the cabinet. Follow them.
2. Always unplug the unit's AC power cord from the AC power source before attempting to:  
(a) Remove or reinstall any component or assembly, (b) Disconnect an electrical plug or connector, (c) Connect a test component in parallel with an electrolytic capacitor.
3. Some components are raised above the printed circuit board for safety. An insulation tube or tape is sometimes used. The internal wiring is sometimes clamped to prevent contact with thermally hot components. Reinstall all such elements to their original position.
4. After servicing, always check that the screws, components and wiring have been correctly reinstalled. Make sure that the portion around the serviced part has not been damaged.
5. Check the insulation between the blades of the AC plug and accessible conductive parts (examples: metal panels, input terminals and earphone jacks).
6. Insulation Checking Procedure: Disconnect the power cord from the AC source and turn the power switch ON. Connect an insulation resistance meter (500V) to the blades of the AC plug.  
  
The insulation resistance between each blade of the AC plug and accessible conductive parts (see above) should be greater than 1 megohm.
7. Never defeat any of the B+ voltage interlocks. Do not apply AC power to the unit (or any of its assemblies) unless all solid-state heat sinks are correctly installed.
8. Always connect a test instrument's ground lead to the instrument chassis ground before connecting the positive lead; always remove the instrument's ground lead last.

## 1-3 Precautions for Electrostatically Sensitive Devices (ESDs)

---

1. Some semiconductor (“solid state”) devices are easily damaged by static electricity. Such components are called Electrostatically Sensitive Devices (ESDs); examples include integrated circuits and some field-effect transistors. The following techniques will reduce the occurrence of component damage caused by static electricity.
2. Immediately before handling any semiconductor components or assemblies, drain the electrostatic charge from your body by touching a known earth ground. Alternatively, wear a discharging wrist-strap device. (Be sure to remove it prior to applying power—this is an electric shock precaution.)
3. After removing an ESD-equipped assembly, place it on a conductive surface such as aluminum foil to prevent accumulation of electrostatic charge.
4. Do not use freon-propelled chemicals. These can generate electrical charges that damage ESDs.
5. Use only a grounded-tip soldering iron when soldering or unsoldering ESDs.
6. Use only an anti-static solder removal device. Many solder removal devices are not rated as “anti-static”; these can accumulate sufficient electrical charge to damage ESDs.
7. Do not remove a replacement ESD from its protective package until you are ready to install it. Most replacement ESDs are packaged with leads that are electrically shorted together by conductive foam, aluminum foil or other conductive materials.
8. Immediately before removing the protective material from the leads of a replacement ESD, touch the protective material to the chassis or circuit assembly into which the device will be installed.
9. Minimize body motions when handling unpackaged replacement ESDs. Motions such as brushing clothes together, or lifting a foot from a carpeted floor can generate enough static electricity to damage an ESD.

## 2. Reference Information

### 2-1 Tables of Abbreviations and Acronyms

Table 2-1 Abbreviations

A	Ampere	MV	Megavolt
Ah	Ampere-hour	MW	Megawatt
Å	Angstrom	MΩ	Megohm
dB	Decibel	m	Meter
dBm	Decibel Referenced to One Milliwatt	μA	Microampere
°C	Degree Celsius	μF	Microfarad
°F	Degree Fahrenheit	μH	Microhenry
°K	degree Kelvin	μm	Micrometer
F	Farad	μs	Microsecond
G	Gauss	μW	Microwatt
GHz	Gigahertz	mA	Milliampere
g	Gram	mg	Milligram
H	Henry	mH	Millihenry
Hz	Hertz	ml	Milliliter
h	Hour	mm	Millimeter
ips	Inches Per Second	ms	Millisecond
kWh	Kilowatt-hour	mV	Millivolt
kg	Kilogram	nF	Nanofarad
kHz	Kilohertz	Ω	Ohm
kΩ	Kilohm	pF	Picofarad
km	Kilometer	lb	Pound
km/h	Kilometer Per Hour	rpm	Revolutions Per Minute
kV	Kilovolt	rps	Revolutions Per Second
kVA	Kilovolt-ampere	s	Second (Time)
kW	Kilowatt	V	Volt
l	Liter	VA	Volt-ampere
MHz	Megahertz	W	Watt
		Wh	Watt-hour

Table 2-2 Table of Acronyms

ABL	Automatic Brightness Limiter	I/O	Input/output
AC	Alternating Current	L	Left
ACC	Automatic Chroma Control	L	Low
AF	Audio Frequency	LED	Light Emitting Diode
AFC	Automatic Frequency Control	LF	Low Frequency
AFT	Automatic Fine Tuning	MOSFET	Metal-Oxide-Semiconductor-Field-Effect-Tr
AGC	Automatic Gain Control	MTS	Multi-channel Television Sound
AM	Amplitude Modulation	NAB	National Association of Broadcasters
ANSI	American National Standards Institute	NEC	National Electric Code
APC	Automatic Phase Control	NTSC	National Television Systems Committee
APC	Automatic Picture Control	OSD	On Screen Display
A/V	Audio-Video	PCB	Printed Circuit Board
AVC	Automatic Volume Control	PLL	Phase-Locked Loop
BAL	Balance	PWM	Pulse Width Modulation
BPF	Bandpass Filter	QIF	Quadrature Intermediate Frequency
B-Y	Blue-Y	R	Right
CATV	Community Antenna Television (Cable TV)	RC	Resistor & Capacitor
CB	Citizens Band	RF	Radio Frequency
CCD	Charge Coupled Device	R-Y	Red-Y
CCTV	Closed Circuit Television	SAP	Second Audio Program
Ch	Channel	SAW	Surface Acoustic Wave(Filter)
CRT	Cathode Ray Tube	SIF	Sound Intermediate Frequency
CW	Continuous Wave	SMPS	Switching Mode Power Supply
DC	Direct Current	S/N	Signal/Noise
DVM	Digital Volt Meter	SW	Switch
EIA	Electronics Industries Association	TP	Test Point
ESD	Electrostatic Discharge	TTL	Transistor Transistor Logic
ESD	Electrostatically Sensitive Device	TV	Television
FBP	Feedback Pulse	UHF	Ultra High Frequency
FBT	Flyback Transformer	UL	Underwriters Laboratories
FF	Flip-Flop	UV	Ultraviolet
FM	Frequency Modulation	VCD	Variable-Capacitance Diode
FS	Fail Safe	VCO	Voltage Controlled Oscillator
GND	Ground	VCXO	Voltage Controlled Crystal Oscillator
G-Y	Green-Y	VHF	Very High Frequency
H	High	VIF	Video Intermediate Frequency
HF	High-Frequency	VR	Variable Resistor
HI-FI	High Fidelity	VTR	Video Tape Recorder
IC	Inductance-Capacitance	VTVM	Vacuum Tube Voltmeter
IC	Integrated Circuit	TR	Transistor
IF	Intermediate Frequency		



## 2-2 IC Line Up

NO	BOARD	LOC. NO	SPEC	DESCRIPTION	REMARK
1	MAIN	IC201S	VDP3112B	Video Processor	Refer to Table 2-3-1
		IC601	MSP3440D	NTSC Sound Processor	
		IC901	SDA555X	MICOM, Caption (MTP)	
		IC902	KS24L161	EEPROM	
		IC602	TDA7297	Audio AMP	Refer to Table 2-3-2
		HIC201	DRGB001	RGB Drive AMP Hybrid IC	VM Option
		IC301	LA7845	Vertical IC	
		Q401	KSD5703	Horizontal Drive IC	DH01
		D409	FMP-3FU		
		IC401	KA393	E/W Drive IC	
		Q404	IRF620		
		IC801S	3S1265R	SPS Controllor	Option
		D801S	RBV606	Bridge Diode	
		PC801S	PC123Y	Photo Coupler	
		IC805	KA78R05	5V Controlled Regulator	DDR01
		D806	FML-G12S	Rectifier Diode	
		D807			
		D805	FMG-G26S		
		IC804	KA7806	6V Regulator	
		IC803	KA78R08	8V Controlled Regulator	
		IC903	KA78RM33	3.3V Regulator	
		IC904	KIA7025AP	MICOM Reset IC	
		Q909	2N7000	IIC Level Shifter	
		Q910			
		TU01	TCPN3081PA09A(S)	Main Tuner with IF Block	
		D813	FML-G12S	Rectifier Diode	

NO	BOARD	LOC. NO	SPEC	DESCRIPTION	REMARK
2	CRT	IC501	TDA6101Q	Video Output AMP R.G.B Drive	
		IC502			
		IC503			
		QF04	2SC2344	Push-Pull (VM)	Option
		QF05	2SA1011		
3	V-S/W	ICS01	TEA6425	Video Switching IC with Adder Output	Option
4	PIP	ICP01	SDA9388X	High-end Picture-In Picture IC	Option

Table 2-3-1 VIDEO IC

SPEC	FUNCTION	REMARK
VDP3108B	Basic 1H Comb Filter	
VDP3130Y	2H Comb Filter, DVD Input	

Table 2-3-2 SOUND AMP

SPEC	FUNCTION	REMARK
TDA7297	7W x 2CH, 10W x 2CH	
TDA7266S	3W x 2CH, 5W x 2CH	

### 3. Specifications

<b>Television System</b>	<b>Multi</b>	NTSC-M, PAL N.M	Option
<b>Antena Input</b>		75ohms, Coaxial Cable	
<b>Power</b>	<b>Consumption</b>	160W (Applied When 29" Flat)	Option
	<b>Requirements</b>	Free Volts(100V-240Volts)	Option
		Free Voltage	Not Present R815
	<b>Frequency</b>	50/60Hz	
<b>Sound</b>	<b>Output</b>	15W x 2CH	
		10W x 2CH	
		5W x 2CH	
	<b>Effect</b>	Vitual Dolby	Option
		Turbo Sound	
		Pseudo Stereo	
<b>Jacks</b>	<b>Front (AV2)</b>	RCA Input	
		S-VHS	Option
		Head-Phone	
	<b>Back</b>	2 AV Input	
		DVD Input(YPbPr)	Option
		AV2 Monitor Audio Output	Option
		S-VHS	Option

Specifications are subject to change.

# MEMO

---

## 4. Alignment and Adjustments

---

### 4-1 General Alignment Instructions

---

1. Usually, a color TV-VCR needs only slight touch-up adjustment upon installation. Check the basic characteristics such as height, horizontal and vertical sync and focus.
2. Observe the picture for good black and white details. There should be objectionable color shading; if color shading is present, demagnetize, perform purity and convergence adjustments described below.
3. Use the specified test equipment or its equivalent.
4. Correct impedance matching is essential.
5. Avoid overload. Excessive signal from a sweep generator might overload the front-end of the TV. When inserting signal markers, do not allow the marker generator to distort test results.
6. Connect the TV only to an AC power source with voltage and frequency as specified on the backcover nameplate.
7. Do not attempt to connect or disconnect any wires while the TV is turned on. Make sure that the power cord is disconnected before replacing any parts.
8. To protect against shock hazard, use an isolation transformer.

### 4-2 Automatic Degaussing

---

A degaussing coil is mounted around the picture tube, so that external degaussing after moving the TV should be unnecessary. But the receiver must be properly degaussed upon installation.

The degaussing coil operates for about 1 second after the power is switched ON. If the set is moved or turned in a different direction, the power should be OFF for at least 10 minutes.

If the chassis or parts of the cabinet become magnetized, poor color purity will result. If this happens, use an external degaussing coil. Slowly move the degaussing coil around the faceplate of the picture tube and the sides and front of the receiver. Slowly withdraw the coil to a distance of about 6 feet before turning power OFF.

If color shading persists, perform the following Color purity and Convergence adjustments.

### 4-3 High Voltage Check

---

**CAUTION :** There is no high voltage adjustment on this chassis. The B+ power supply should be +135 volts (with full color- bar input and normal picture level).

1. Connect a digital voltmeter to the second anode of the picture tube.
2. Turn on the TV. Set the Brightness and Contrast controls to minimum (zero beam current).
3. Adjust the Brightness and contrast controls to both extremes. Ensure that the high voltage does not exceed 30 KV under any conditions.

## 4-4 FOCUS Adjustment

---

1. Input a black and white signal.
2. Adjust the tuning control for the clearest picture.
3. Adjust the FOCUS control for well defined scanning lines in the center area of the screen.

## 4-5 SCREEN Adjustment

---

1. Input Toshiba Pattern
2. Enter "Service Mode".(Refer to "4-8-1 Service Mode")
3. Select "G2-Adjust".
4. Set the values as below.

Table 1. Screen Adjustment Table

No	INCH / CRT	IBRM	WDRV	CDL	COLR G B (Smallest Value)	REGION
1	14" / SDI	205	35	100	100	Normal
2	15PF / SDI	220	35	180	100	
3	21" 1.7R / SDI	220	35	180	100	
4	20V 10.0R/SDI	205	35	115	120	
5	21PF / TSB	220	35	180	65	
6	21PF / LG	230	35	230	65	
7	21PF / SDI	220	35	210	65	
8	25PF / SDI	210	35	160	120	
9	27V 1.3R / SDI	210	35	170	150	
10	27V 1.0R/SDI	210	35	150	180	
11	25V 1.0R/SDI	210	35	150	180	
12	23V 1.3R/SDI	205	35	120	140	

5. Turn the SCREEN VR until "MRCR G B" and "MRWDG" are green and those value are about 100.  
(The incorrect SCREEN Voltage may result that "MRCR G B" and "MRWDG" should be red)

## 4-6 E<sup>2</sup>PROM (IC902) Replacement

---

1. When IC902 is replaced, all adjustment data revert to the initial values.  
So, all adjustment values when servicing should be readjusted.
2. After IC902 is replaced, connect the AC power supply cord.
3. Turn the power switch ON.
4. In stand-by, warm up the TV for at least 10 seconds.
5. Power on the TV.

## 4-7 White Balance Adjustment

---

■ Equipment : Color-Analyzer (CA-100)

■ Input Signal : Pattern signal (Toshiba pattern)

1. Select STANDARD from the menu.
2. Input an 100% White pattern.
3. Enter the "Service Mode". (Refer to "4-8 Service Mode")
4. Warm up the TV set at least for 30 minutes.
5. Input a Toshiba pattern signal.
6. Enter the "Video Adjust1".
  - Adjust "Sub Contrast" so that Y (luminance) becomes  $65 \text{ ft} \pm 3$ .
  - Use "Red Drive" and "Blue Drive" to adjust High-Light (x : 265, y : 265)
  - Adjust "Sub Bright" so that Y (luminance) becomes  $1.2 \text{ ft} \pm 0.3$ .
  - Use "Red Cutoff" and "Blue Cutoff" to adjust Low-Light (x : 265, y : 265).
7. Adjust CA-100 so that the final adjustment value can be fixed.
8. Use the Channel Up/Down (▲/▼) buttons to move the cursor on the adjustment modes.
9. Use the Volume +/- buttons to change the adjustment value.

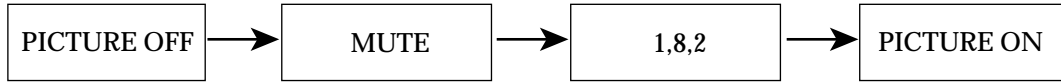
## 4-8 Factory Adjustment

---

### 4-8-1 Service Mode

1. To enter the “Service Mode”, Press the remote-control keys in this sequence :

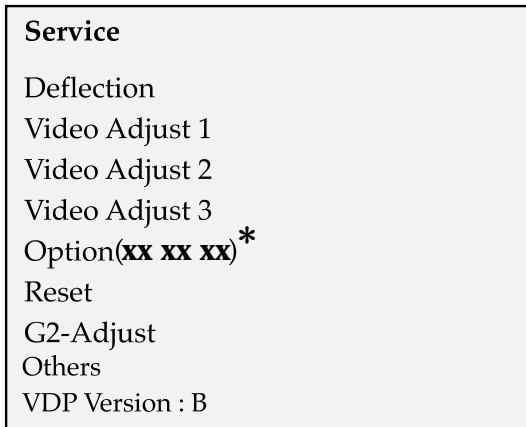
- If you do not have Factory remote-control



- If you have Factory remote-control



2. After the Service Mode is entered, the initial screen is as shown in the figure below.



\* These hexa digits are check sum value which depends on the MICOM version. If check sum value is changed, the value of E<sup>2</sup>PROM Data newly initialed.

3. Use the Channel Up/Down buttons to move the cursor in the adjustment parameters.

**Note :**

- When CRT, CRT PCB, FBT, E<sup>2</sup>PROM (sometimes MICOM) is replaced, the adjustment values should be controlled.
- After the Service adjustment is completed, Do not select “Reset” in the service mode menu. (After above procedure is done, power is on initially and the “Plug and Play” will be operated.)



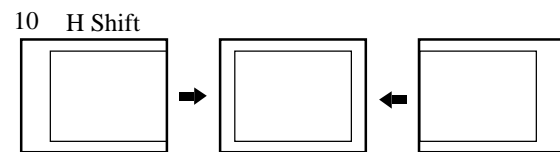
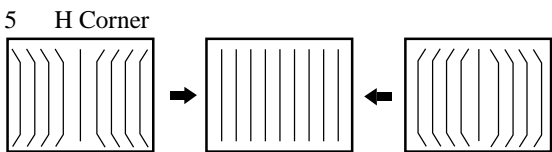
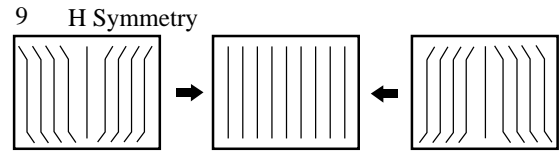
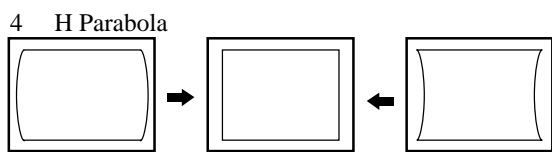
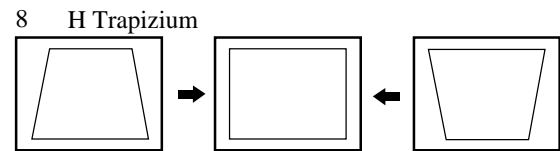
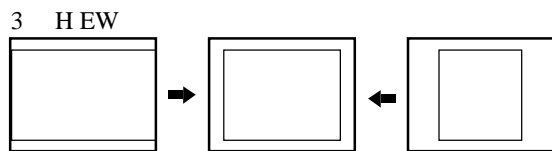
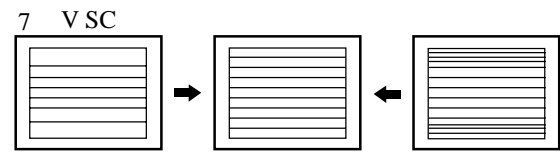
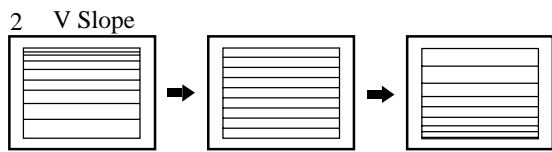
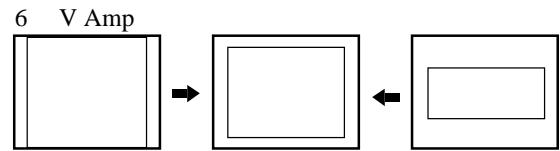
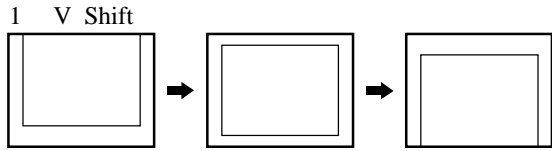
## 4-8-2 Deflection (Memory Data)

- SIM408A USA, LATIN FACTORY (VDP IC VDP3108B)

### 4-8-2(A) GEOMETRIC ADJUSTMENT VALUE

INCH			27V 1.3R	23V 1.3R	25V 1R	27V 1R	20V 1R	15" FLAT
Model			TXK2767	CL25D4W	TXK2550 TXK2554 TXK2566 TXK2567 CL663BW	TXK2750 TXK2754	TXK2060 TXK2066 TXK2067	CT-15A8
DEFLECTION	INIT							
H Bow	0	FIX	0	0	0	0	0	0
H Angle	0	FIX	0	0	0	0	0	0
H Dsc	0	FIX	3	3	3	3	3	3
V SHIFT	-40	Control	-27	-24	-18	-18	-40	-35
V AMP	5	Control	-50	-41	18	18	5	20
V SLOPE	-2	Control	-7	-4	-4	-4	-2	-4
V SC	-7	FIX	0	-13	-13	-13	-13	-13
H EW	64	Control	10	-37	64(FIX)	64(FIX)	64(FIX)	64(FIX)
H TRAPEZIUM	-20	Control	-82	-48	-20(FIX)	-20(FIX)	-20(FIX)	-20(FIX)
H PARABOLA	-13	Control	-89	-44	-13(FIX)	-13(FIX)	-13(FIX)	-13(FIX)
H SYMMETRY	13	FIX	13	13	13	13	13	13
H CORNER	15	Control	0	69	69(FIX)	69(FIX)	69(FIX)	69(FIX)
H SHIFT	4	Control	0	8	13	13	4	13
PIP CONTRAST		FIX	0	0	0	0	0	0
PIP TINT		FIX	0	0	0	0	0	0
PIP PAL V.POS		FIX	12	12	12	12	12	12
PIP NTSC V.POS		FIX	12	12	12	12	12	12
PIP H.POS		FIX	12	12	12	12	12	12

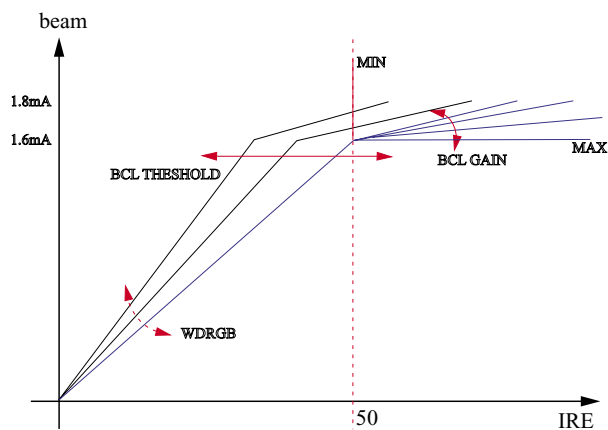
4-8-2(B) SCREEN CHANGE (I2C BUS GEOMETRIC ADJUSTMENT)



4-8-2(C) VIDEO ADJUST 1

INCH			27V 1.3R	23V 1.3R	25V 1R	27V 1R	20V 1R	15" FLAT
Model			TXK2767	CL25D4W	TXK2550 TXK2554 TXK2566 TXK2567 CL663BW	TXK2750 TXK2754	TXK2060 TXK2066 TXK2067	CT-15A8
VIDEO ADJUST1	INIT							
RED CUT OFF	127	Control	127	127	127	127	127	127
GREEN CUT OFF	127	FIX	127	127	127	127	127	127
BLUE CUT OFF	127	Control	127	127	127	127	127	127
RED DRIVE	127	Control	150	127	127	127	127	127
GREEN DRIVE	127	FIX	127	127	127	127	127	127
BLUE DRIVE	127	Control	170	127	127	127	127	127
SUB BRIGHT	110	Control	100	110	100	100	114	110
SUB CONTRAST	52	Control	52	52	52	52	52	52
SUB COLOR	27	FIX	50	50	50	50	50	67
SUB TINT	30	FIX	70	70	70	70	30	15
BCL THRESHOLD	62	FIX	60	54	58	58	70	40
BCLGAIN	8	FIX	8	8	8	8	8	8
BCL TIME	13	FIX	10	10	10	10	10	13
DVD SUB TINT	90	FIX	100	100	100	100	100	120
N. YC DELAY	0	FIX	3	3	3	3	3	4

Note 1. Beam Control Limit Characteristic



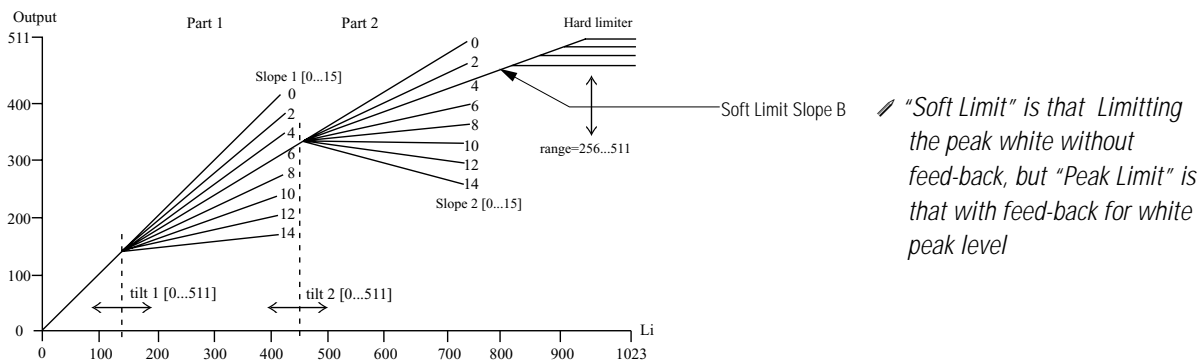
4-8-2(D) VIDEO 2 ADJUST

INCH			27V 1.3R	23V 1.3R	25V 1R	27V 1R	20V 1R	15" FLAT
Model			TXK2767	CL25D4W	TXK2550 TXK2554 TXK2566 TXK2567 CL663BW	TXK2750 TXK2754	TXK2060 TXK2066 TXK2067	CT-15A8
VIDEO ADJUST2	INIT							
B STRETCH-BTHR	50	FIX	50	50	50	50	50	50
B DTRETCB-BTLT	8	FIX	8	8	8	8	8	8
B STERTCH-BAM	4	FIX	4	4	4	4	4	4
CORING	31	FIX	31	31	31	31	31	31
NTSC COMB FILTER	1	FIX	1	1	1	1	1	1
RGB BRIGHT	0	FIX	0	0	0	0	0	0
RG B CONTRAST	0	FIX	0	0	0	0	0	0
EHT TIME	0	FIX	0	0	0	0	0	0
EHT VERTICAL		FIX	60	60	60	60	60	60
DTI CORING		FIX	0	0	0	0	0	0
DTI GAIN		FIX	1	1	1	1	1	1
DTI BAND		FIX	1	1	1	1	1	1
EHT OFFSET		FIX	0	0	0	0	0	0
EHT HORIZONTAL		FIX	0	0	0	0	0	0

4-8-2(E) VIDEO 3 ADJUST

INCH			27V 1.3R	23V 1.3R	25V 1R	27V 1R	20V 1R	15" FLAT
Model			TXK2767	CL25D4W	TXK2550 TXK2554 TXK2566 TXK2567 CL663BW	TXK2750 TXK2754	TXK2060 TXK2066 TXK2067	CT-15A8
VIDEO ADJUST3	INIT							
PEAK WHITE LIMIT	255	FIX	255	255	255	255	255	255
SOFT LIMIT SLOPE B	4	FIX	4	4	4	4	4	4
HARD LIMIT	255	FIX	255	255	255	255	255	255
MODULATION ON/OFF	0	FIX	0	0	0	0	0	0
A TILT POINT	0	FIX	0	0	0	0	0	0
B TILT POINT	0	FIX	114	114	114	114	114	114
GAIN 1 (VIDEO)		FIX	11	11	11	11	11	11
DELAY 1 (VIDEO)		FIX	3	3	3	3	3	3
PEAK VIDEO REF		FIX	0	0	0	0	0	0
PEAK VIDEO GAIN		FIX	0	0	0	0	0	0
LIMIT VALUE		FIX	74	74	74	74	74	74
VELOCITY DELAY		FIX	7	7	7	7	7	7
VELOCITY CORING		FIX	10	10	10	10	10	10
ACC-REF	20	FIX	20	20	20	20	20	20
ACCR	21	FIX	21	21	21	21	21	21

**Note 2. Soft Limit & Hard Limit Characteristics**



4-8-2(F) OTHERS

INCH			27V 1.3R	23V 1.3R	25V 1R	27V 1R	20V 1R	15" FLAT
Model			TXK2767	CL25D4W	TXK2550 TXK2554 TXK2566 TXK2567 CL663BW	TXK2750 TXK2754	TXK2060 TXK2066 TXK2067	CT-15A8
OTHERS	INIT							
VSU	108	FIX	108	104	100	100	104	110
VSU2		FIX	0	0	0	0	0	0
H QEW	0	FIX	0	0	0	0	0	0
H ZOOM Parabola	8	FIX	-22	-35	8	8	8	8
H 16:9 Parabola	-10	FIX	8	13	-18	-18	-18	-10
TTX H Shift	0	FIX	0	0	0	0	0	0
PAL V SHIFT		FIX	OFFSET	OFFSET	OFFSET	OFFSET	OFFSET	OFFSET
PAL H SHIFT		FIX	OFFSET	OFFSET	OFFSET	OFFSET	OFFSET	OFFSET
Melody Volume	5	FIX	7	7	7	7	7	7
WHITE BALANCE	H	Control	275/295 35FL	275/295 35FL	275/295 35FL	275/295 35FL	275/295 35FL	275/295 95FL
	L	Control	275/295 1.2FL	275/295 1.2FL	275/295 1.2FL	275/295 1.2FL	275/295 1.2FL	275/295 2.0FL

4-8-2(G) G2 ADJUST

INCH		27V 1.3R	23V 1.3R	25V 1R	27V 1R	20V 1R	15" FLAT
Model		TXK2767	CL25D4W	TXK2550 TXK2554 TXK2566 TXK2567 CL663BW	TXK2750 TXK2754	TXK2060 TXK2066 TXK2067	CT-15A8
MRC R G B							
MRC R G B	Max	110	110	110	110	110	110
MRWDG		110	110	110	110	110	110
IBRM	FIX	210	205	210	210	205	220
WDRV	FIX	35	35	35	35	35	35
CDL	FIX	170	120	150	150	115	180
COL	MIN	150	140	150	150	120	100

### 4-8-3 Deflection (Memory Data)

- SIM408A USA, LATIN FACTORY (VDP IC VDP3130Y)

#### 4-8-3(A) GEOMETRIC ADJUSTMENT VALUE

MODEL			27V 1.3R	15" FLAT CL15A8	21" FLAT CL21A8	25" FLAT CL25A6
DEFLECTION	INIT		TXK2768	CL15A8	CL21A8	CL25A6
H ROW		FIX	0	0	0	0
H ANGLE		FIX	0	0	0	0
V DRIFT		FIX	3	2	2	3
V SHIFT	-40	Control	-27	-35	-27	-50
V SLOPE	5	Control	-50	20	6	-15
V SLOPE	-2	Control	-7	-4	-6	-2
V SC	-7	FIX	-6	-6	-6	-6
H EW	64	Control	10	64(FIX)	43	10
H TRAPEZIUM	-20	Control	-82	-20(FIX)	-20	-20
H PARABOLA	-13	Control	-89	-13(FIX)	-29	-60
H SYMMETRY	13	FIX	13	13	13	13
H CORNER	15	Control	0	69(FIX)	69	69
H SHIFT	4	Control	0	13	-24	-27
PIP CONTRAST		FIX	10	0	0	0
PIP TINT		FIX	63	0	0	0
PIP PAL V.POS		FIX	12	12	12	12
PIP NTSC V.POS		FIX	12	12	12	12
PIP SEC V.POS		FIX	12	12	12	12
PIP H.POS		FIX	12	12	12	12

#### 4-8-3(B) VIDEO ADJUST 1

MODEL			27V 1.3R	15" FLAT CL15A8	21" FLAT CL21A8	25" FLAT CL25A6
VIDEO ADJUST	INIT		TXK2768	CL15A8	CL21A8	CL25A6
RED CUT OFF	127	Control	127	127	127	127
GREEN CUT OFF	127	FIX	127	127	127	127
BLUE CUT OFF	127	Control	127	127	127	127
RED DRIVE	127	Control	127	127	127	127
GREEN DRIVE	127	FIX	127	127	127	127
BLUE DRIVE	127	Control	170	127	127	127
SUB BRIGHT	110	Control	100	110	110	110
SUB CONTRAST	52	Control	52	52	52	52
SUB COLOR	27	FIX	50	67	87	87
SUB TINT	30	FIX	70	15	30	30
BCL THRESHOLD	62	FIX	60	40	62	60
BCL GAIN	8	FIX	9	9	9	9
BCL TIME	13	FIX	5	5	5	5
DVD SUB TINT	90	FIX	25	25	25	25
N. YC DELAY	0	FIX	3	4	4	4

4-8-2(C) VIDEO 2 ADJUST

Model			27V 1.3R	15" FLAT CL15A6	21" FLAT CL21A8	25" FLAT CL25A6
VIDEO ADJUST	INIT		TXK2768	CL15A8	CL21A8	CL25A6
B STRETCH-BTHR	50	FIX	50	50	50	50
B STRETCH-BMT	8	FIX	8	8	8	8
B STRETCH-BAM	4	FIX	4	4	4	4
CORING	31	FIX	31	31	31	31
NTSC COMP FILTER	1	FIX	3	3	3	3
RGB BRIGHT	0	FIX	0	0	0	0
RGB CONTRAST	0	FIX	0	0	0	0
EHT TIME	0	FIX	8	8	8	8
EHT VERTICAL	60	FIX	60	60	60	60
DTI CORING	0	FIX	0	0	0	0
DTI GAIN	1	FIX	1	1	1	1
DTI BAND	1	FIX	1	1	1	1
EHT OFFSET	0	FIX	0	0	0	0
EHT HORIZONTAL	0	FIX	0	0	0	0

4-8-2(D) VIDEO 3 ADJUST

Model			27V 1.3R	15" FLAT CL15A8	21" FLAT CL21A8	25" FLAT CL25A6
VIDEO ADJUST	INIT		TXK2768	CL15A8	CL21A8	CL25A6
PEAK WHITE LIMIT	255	FIX	255	255	255	255
SOFT LIMIT SLOPE B	4	FIX	4	4	4	4
HARD LIMIT	255	FIX	255	255	255	255
MODULATION ON/OFF	0	FIX	0	0	0	0
A HILT POINT	0	FIX	0	0	0	0
B HILT POINT	0	FIX	114	114	114	114
GAIN 1 (VIDEO)	11	FIX	11	11	11	11
DELAY 1 (VIDEO)	3	FIX	3	3	3	3
PEAK VIDEO REF	0	FIX	0	0	0	0
PEAK VIDEO GAIN	0	FIX	0	0	0	0
LIMIT VALUE	127	FIX	127	74	74	74
VELOCITY DELAY	7	FIX	7	7	7	7
VELOCITY CORING	2	FIX	2	10	10	10
ACC-REF	20	FIX	20	20	20	20
ACCR	21	FIX	21	21	21	21

4-8-3(E) OTHERS

Model			27V 1.3R	15" FLAT CL15A8	21" FLAT CL21A8	25" FLAT CL25A6
OTHERS	INIT		TXK2768	CL15A8	CL21A8	CL25A6
OTHERS	INIT					
VSU	108	FIX	108	110	100	108
VSI#2	0	FIX	0	0	0	0
H 95W Parabol	0	FIX	0	0	0	0
H 700M Parabol	8	FIX	-22	8	8	-12
H 16.9 Parabol	-10	FIX	8	-10	-13	0
DVD TINT CONTROL	1	FIX	OFFSET	OFFSET	OFFSET	OFFSET
PAL V SHIFT		FIX	OFFSET	OFFSET	OFFSET	OFFSET
PAL H SHIFT		FIX	OFFSET	OFFSET	OFFSET	OFFSET
Melody Volume		FIX	OFFSET	OFFSET	OFFSET	OFFSET
PIP BRIGHT	5	FIX	7	7	7	7
PIP COLOR		FIX	5	5	5	5
PIP COLOR		FIX	7	7	7	7
WHITE BALANCE	H	Control	275/295 35FL	275/295 95FL	275/295 65FL	275/295 50FL
WHITE BALANCE	L	Control	275/295 1.2FL	275/295 2.0FL	275/295 1.2FL	275/295 1.4FL

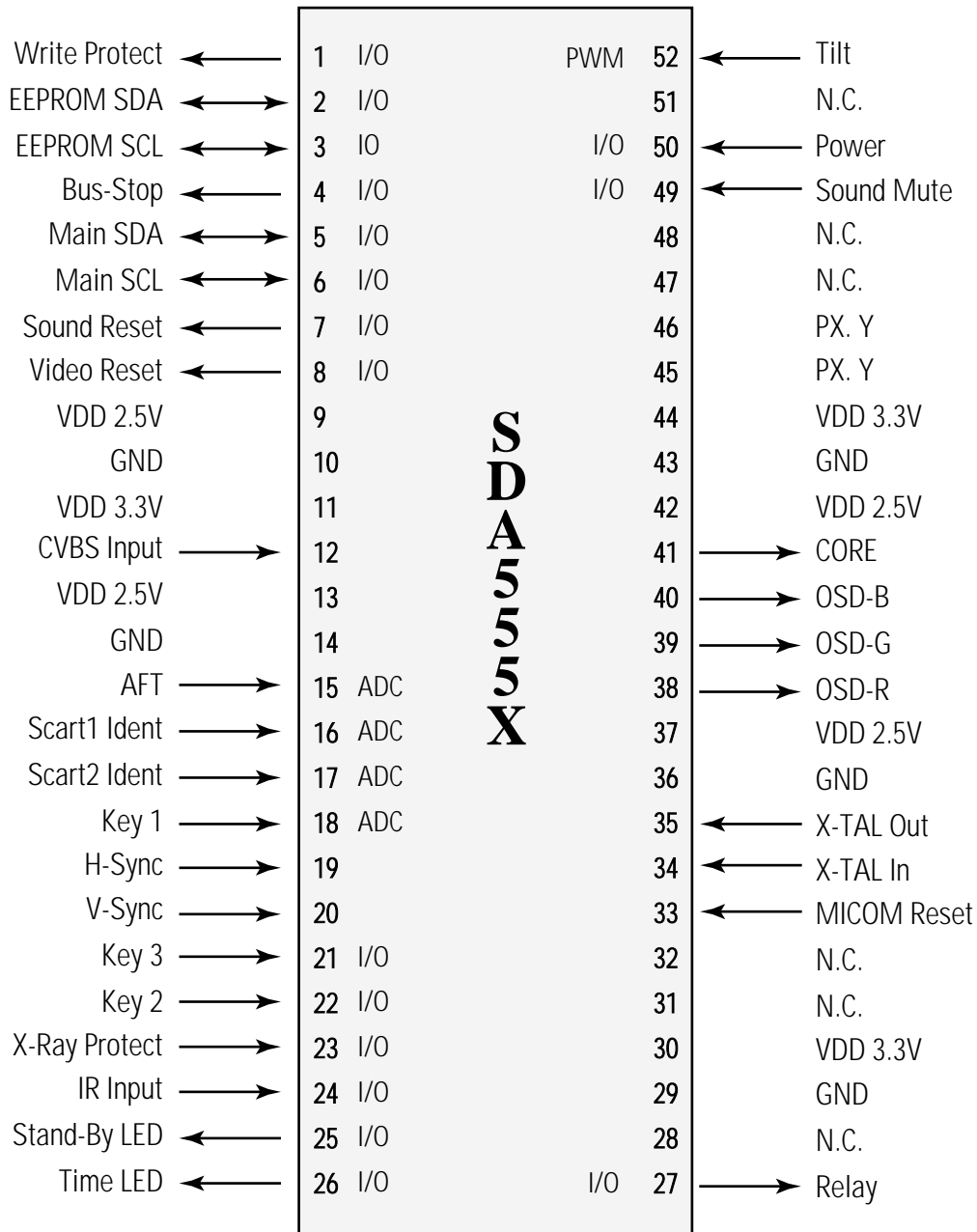
4-8-3(F) G2+2 ADJUST

Model			27V 1.3R	15" FLAT CL15A8	21" FLAT CL21A8	25" FLAT CL25A6
			TXK2768	CL15A8	CL21A8	CL25A6
MRC R G B	Max		110	110	110	110
MIR WDG			110	110	110	110
IBRM	FIX		210	220	220	210
WDRV	FIX		35	35	35	35
COL	FIX		170	180	180	160
COL	MIN		150	100	65	120



## 4-9 MICOM

### 4-9-1 Pin Layout



## 4-9-2 Pin Assignment Specification

PIN NO	FUNCTION	ASSIGN	IN/OUT	ACTIVE H/L	DESCRIPTION
1	I/O	Write Protect	Out	Low	EEPROM Write Protection
2	I/O	ROM SDA	I/O		EEPROM Serial Data Line
3	I/O	ROM SCL	I/O		EEPROM Serial Clock Line
4	I/O	Bus Stop	In	Low	Disable Micom IIC
5	I/O	Main SDA	I/O		Peripheral IC Serial Data Line
6	I/O	Main SCL	I/O	Low	Peripheral IC Serial Clock Line
7	I/O	Sound Reset	Out	Low	MSP IC Initial Control
8	I/O	Video Reset	Out		VDP IC Initial Control
9	Vdd	VDD 2.5V			
10	GND				
11	Vdd	VDD 3.3V			
12	CVBS	CVBS Input	In		TTX CVBS Input
13	Vdd	VDD 2.5V			Analog B+
14	GND				Analog Ground
15	ADC	AFT	In		Auto Fine Tuning Control
16	ADC	SC1-ID	In		Scart1 Ident
17	ADC	SC2-ID	In		Scart2 Ident
18	ADC	Key1	In		Key1 Input
19	HS	H-Sync	In		Horizontal Sync Input
20	VS	V-Sync	In		Vertical Sync Input
21	I/O	Key3	In		Key3 Input
22	I/O	Key2	In		Key2 Input
23	I/O	X-Ray	In		X-Ray Protection
24	I/O	IR-In	In		Remocon Signal Input
25	I/O	STD-LED	Out		LED Drive Output(Red)
26	I/O	TIM-LED	Out		LED Drive Output(Green)

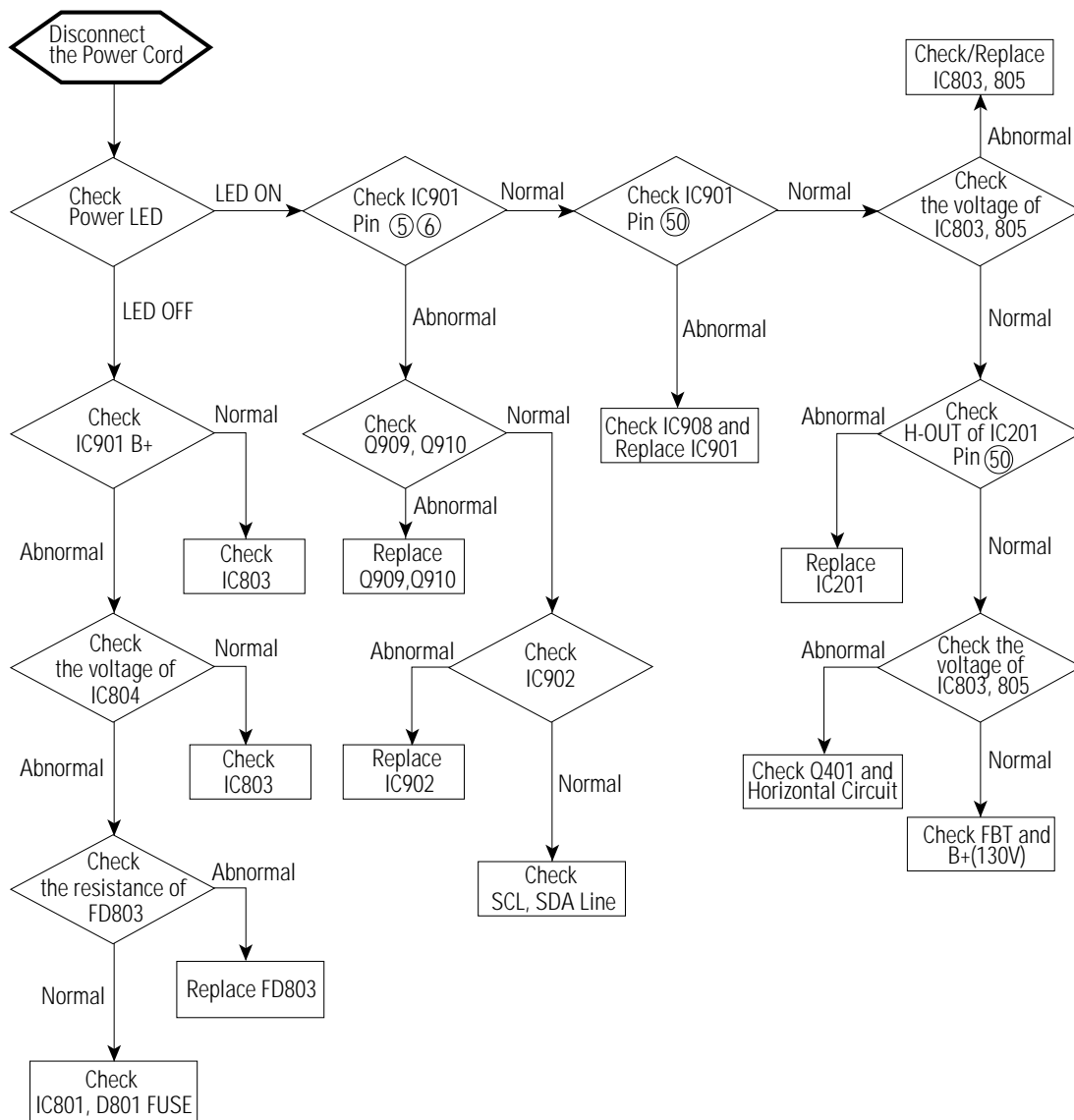
## 4-9-2 Pin Assignment Specification (Continued)

PIN NO	FUNCTION	ASSIGN	IN/OUT	ACTIVE H/L	DESCRIPTION
27	I/O	Relay	Out	Low	Activate Degaussing Coil
28	N.C.				Not Used (Programmed Gound Level)
29	GND				Analog Ground
30	Vdd	VDD 3.3V			Not Used (Programmed Gound Level)
31	N.C.				Not Used (Programmed Gound Level)
32	N.C.				Micom Hardware Reset
33	Reset	Reset	In	Low	Crystal Oscillation Input
34	X-In	X-TAL In	In	6MHz	Crystal Oscillation Output
35	X-Out	X-TAL Out	Out	6MHz	Analog Ground
36	GND				Analog B+
37	Vdd	VDD 2.5V			OSD/TTX Output (Red)
38	R	OSD-R	Out		OSD/TTX Output (Green)
39	G	OSD-G	Out		OSD/TTX Output (Blue)
40	B	OSD-B	Out		Fast Blank/Half Contrast Output
41	COR	CORE	Out		
42	Vdd	VDD 2.5V			
43	GND				
44	Vdd	VDD 3.3V			
45	I/O	PX.Y	In		When The Caption Function Adopted, Used.
46	I/O	PX.Y	Out		
47	N.C.				Not Used (Programmed Gound Level)
48	N.C.				
49	I/O	S-Mute	Out	High	Sound Amp Mute
50	I/O	Power	Out	Low	Picture On/Off Control
51	N.C.				Not Used (Programmed Gound Level)
52	I/O				

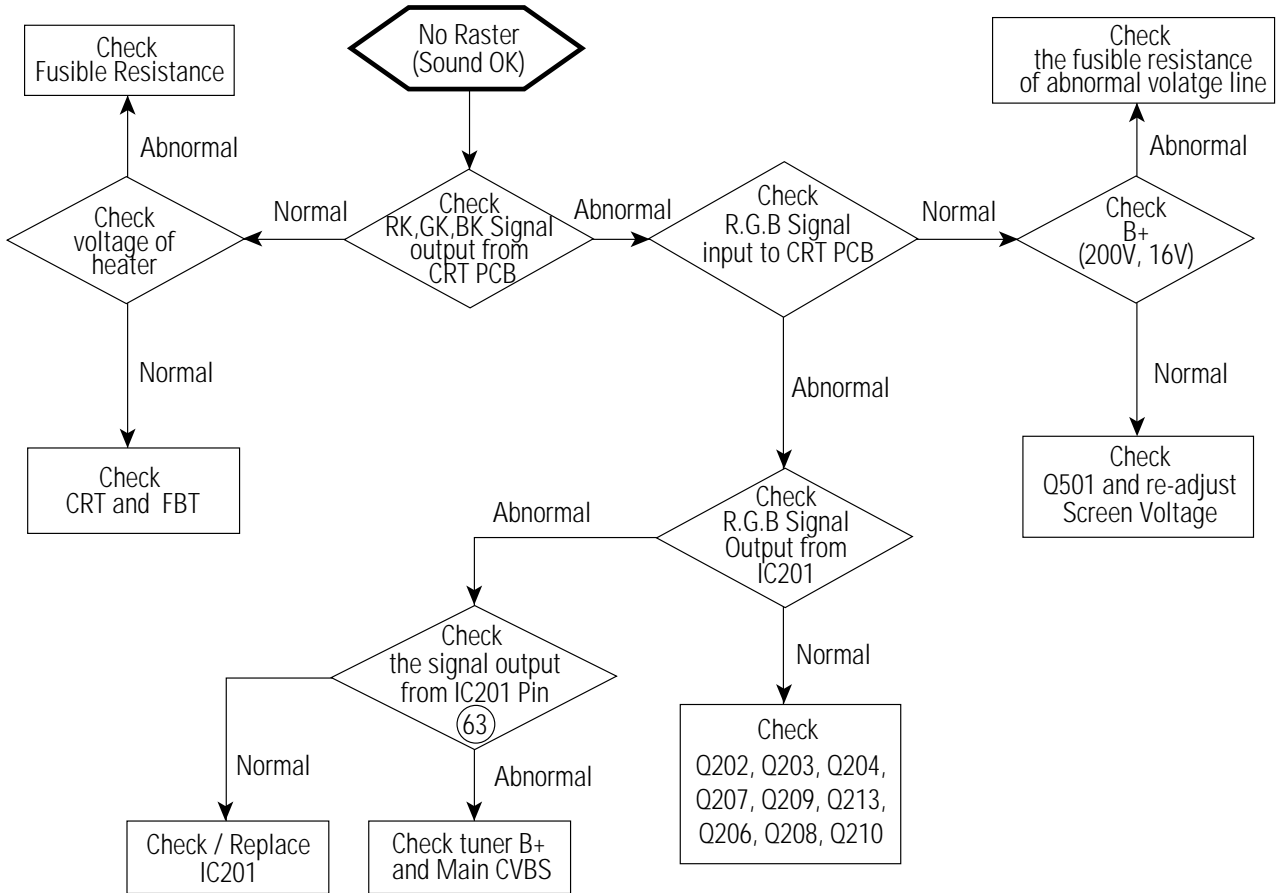
# MEMO

## 5. Troubleshooting

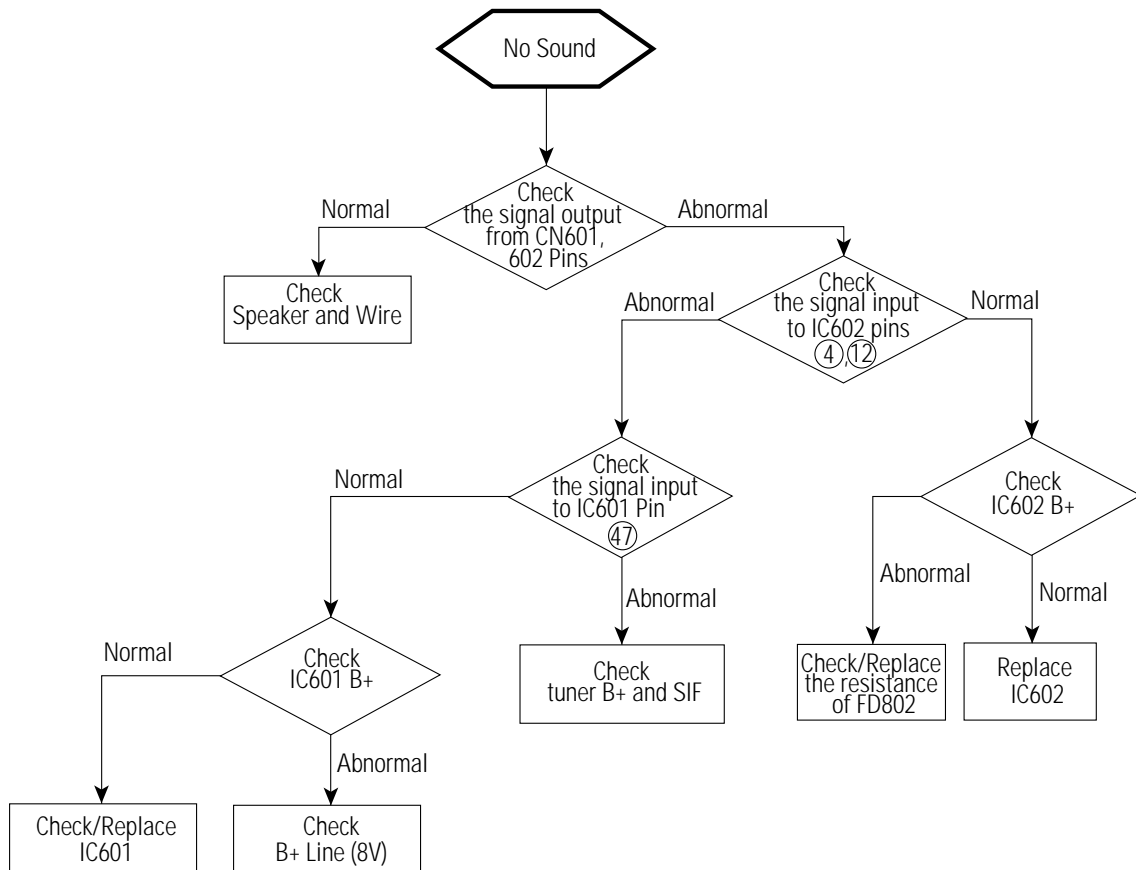
### 5-1 No Power



## 5-2 No Raster (Sound OK)

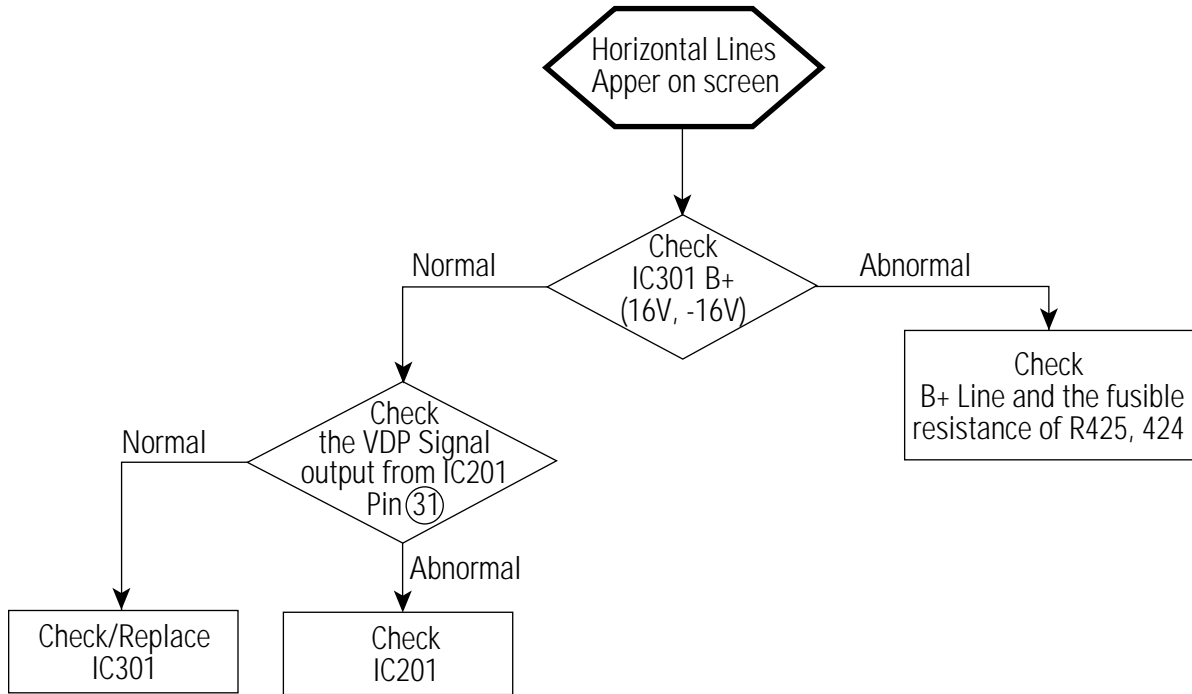


## 5-3 No Sound



## 5-4 Horizontal Lines Appear on screen

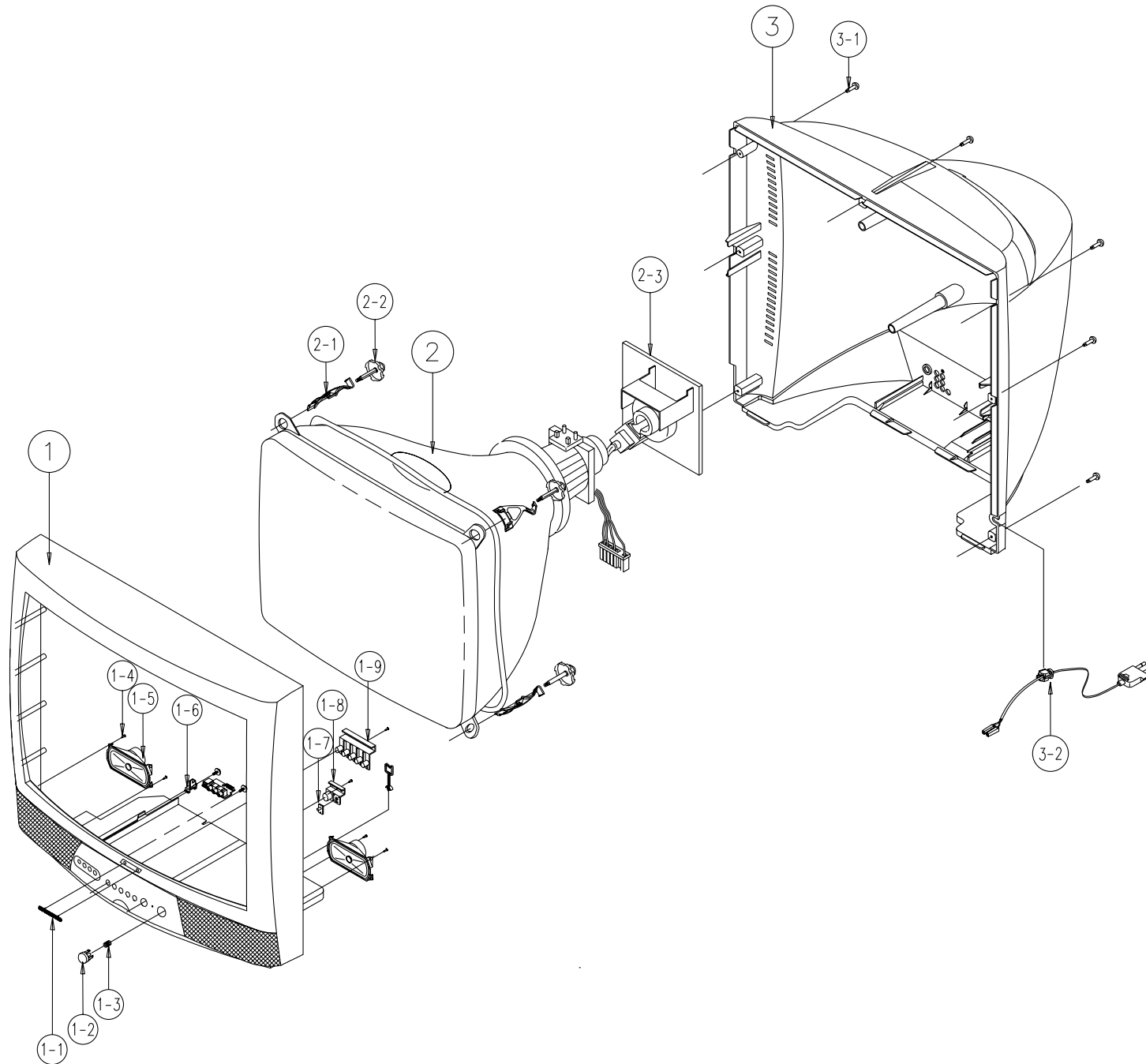
---





## 6. Exploded View & Parts List

### 6-1 TXK2566X



No	Code No	Description	Specification	Q'ty	Remark
1	AA64-31346A	CABINET-FRONT	;HIPSVOBLKBK708P	1	
1-1	AA64-70117B	BADGE-BRAND	;AL,SS,R2000,25,SILVER CT-633	1	
1-2	AA64-10804A	KNOB-POWER	;ABSHBBLK	1	
1-3	AA61-60003J	SPRING-CS	;-,SUS304,0.5,OD6,H	1	
1-4	6002-000514	SCREW-TAPPING	;RH,+,2,M4,L15,ZP	4	
1-5	3001-001038	SPEAKER	;6W,16OHM,92DB,140HZ	2	
1-6	AA61-40113A	STOPPER-PCB	;-,ABS,HB,NTR.	1	
1-7	AA64-40525A	INDICATOR-LED	;ACRYLCLR	1	
1-8	AA64-40524A	WINDOW-REMOTE	;PCVIOLET	1	
1-9	AA64-10803A	KNOB-CONTROL	;ABSHBBLK	1	
2	AA03-00157A	CRT COLOR	;A63QDB891X,+380MG,SAMSUNG	1	
2-1	AA65-30107A	CLAMP-DCOIL	;NYLON 66,V2,NTR,-,20-22	4	
2-2	AA60-10050R	SCREW-ASSY	;WC,HH,+M5,L31.5,SWR	4	
2-3	3704-001105	SOCKET-CRT	;11P,20PI,26.5PI,NI,-	1	
3	AA64-01293A	CABINET BACK	;TXK2566/67,CT25B7,HIPS,V0,B	1	
3-1	6002-000514	SCREW-TAPPING	;RH,+,2,M4,L15,ZP	7	
3-2	AA39-10007Y	POWER-CORD	;-,EP2/YES,SPT-2 18AWGx2C,2.4m	1	

## 7. Electrical Parts List

### 7-1 TXK2554X/XAC (TXK2554X/XAC and TXK2554C/XAA Dissimilar Parts)

Level	Loc. No.	Code No.	Description ; Specification	Remark	Level	Loc. No.	Code No.	Description ; Specification	Remark
-------	----------	----------	-----------------------------	--------	-------	----------	----------	-----------------------------	--------

#### REMOCON

\* AA59-10113HREMOCON;DP;TM59,-,-,-,-,-,AA59-10110H,

#### ASSY ACCESSORY

\* AA97-00708AASSY ACCESSORY;-CT25B3,25,KS2A,SECA

AA68-01185AMANUAL USERS;-,-,FRE,B5,W/P100(G),-,-,-,

### 7-2 TXK2554C/XAA

Level	Loc. No.	Code No.	Description ; Specification	Remark	Level	Loc. No.	Code No.	Description ; Specification	Remark
-------	----------	----------	-----------------------------	--------	-------	----------	----------	-----------------------------	--------

#### ASSY-POWER,CORD

1		* AA96-20129A	ASSY-POWER,CORD;-EP2/YES,H/C300,ME301P,	
.2	3811-000401	WIRE-PVC CU;BCWA,300V,ROLL,17/0.16mm,#22	S.N.A	
.2	AA61-20284A	HOLDER;-P-CORD,PP,VO,BLK,KE-002	S.N.A	
.2	AA39-10007Y	POWER-CORD;-EP2/YES,SPT-2 18AWGx2C,2.4m		

#### ASSY CRT

1		* AA97-00700A	ASSY CRT;-,-,25,BARE,SAM2540,-	
.2	AA27-00083A	DEFLECTION YOKE;25V 1R,DSE-2603AL(T),ST,		
.2	AA63-60028A	SPACER-DY;NEOPRENE,-,BLK,VO W12,-,-		
.2	AA27-00002A	MAGNET-CONVERGENCE;-JH291-SC-OB,29.1MM		
.2	AA03-00032A	CRT-COLOR;-A63QDB891X,+380MG,26INCH,100		

#### ASSY-SKD

1		* AA97-00850A	ASSY-SKD;-TXK2554C/XAA,KS2A,NTSC,-,-	
.2	AA65-30109A	CLAMP-FBT;NYLON-66,V2,BLK,-,-,-	S.N.A	
.2	AA65-30105B	CLAMP-WIRE;NYLON 66,V2,NTR,25MM,ALL MODE	S.N.A	
.2	AA65-30104B	CLAMP-WIRE;NYLON 66,V2,BLK,W2 Z5,ALL MOD	S.N.A	
.2	AA65-30018A	CLAMP-WIRE;NYLON-66,-,-,DATL-600,DONG-A,	S.N.A	
.2	AA65-30009A	CLAMP-FBT;ABS,VO,BLK,-,-,-	S.N.A	
.2	AA27-20001W	COIL-DEGAUSSING;-,-,25,7.5ohm,33T,L2800,E		

#### ASSY SPEAKER

1		* AA96-00529A	ASSY SPEAKER;-16ohm,3W,3001-000003,-,-	
.2	3001-000003	SPEAKER;3W,16ohm,88dB,180+-36Hz		

.2 AA39-00102M LEAD CONNECTOR-ASSY;-,-,4P,-,-,-,35155-

#### ASSY-PCB,A/V FRONT

1		* AA95-00887A	ASSY-PCB,A/V FRONT;DP;TXK2554C/XAA,KS2A,	
.2	AA39-20068E	LEAD CONNECTOR-ASSY;-YBNH025-08,67096-0		
.2	AA41-00323A	PCB-AV;TXK2750,FR-1,1LA,1.6T,245x245		
.2	0202-000187	SOLDER-WIRE FLUX;-RS60S,D1.2,63Sn/37Pb	S.N.A	
.2	3722-001031	JACK-RCA;3P,3.6MM,#18,AU		

#### REMOCON

1		* AA59-10113B	REMOCON;DP;TM59,-,AA59-10110B,-,-,-,-,	
.2	AA59-10110B	REMOCON;-TM59,SS,SZM368ET,25,-,-,L/GR		

#### ASSY PACKING

1		* AA92-00534A	ASSY PACKING;TXK2554C/XAA	
.2	AA68-01101A	MANUAL USERS;-,-,ENG,B5,W/P100(G),-,-,-,		

#### ASSY CABINET(COM)

1		* AA92-00546A	ASSY CABINET(COM);TXK2554C/XAA	
.2	BACK	AA63-60002Y	SPACER-FELT;FELT,T0.5,BLK,330X20,-,-	S.N.A
.2	CB+CF	6003-001025	SCREW-TAPTITE;RH,+B,M4,L20,ZPC(BLK),SWR	S.N.A
.2	CB+RCA	6003-001026	SCREW-TAPTITE;RH,+B,M4,L15,ZPC(BLK),SWR	S.N.A
.2	CRT+CF	AA60-10050R	SCREW-ASSY;WC,HH,+M5,L31.5,SWRCH18A,ZPC	S.N.A
.2	D-COIL	AA65-30113A	CLAMP-D,COIL;NYLON 66,V2,BLK,TVI 25-29,-	S.N.A

Electrical Parts List

Level	Loc. No.	Code No.	Description ; Specification	Remark	Level	Loc. No.	Code No.	Description ; Specification	Remark
.2	D-COIL	AA65-30017A	CLAMP-D,COIL:NYLON-66,V0,NTR,DADH300,25	S.N.A	....4	C815	2401-003026	C-AL:330uF,20%,200V/GPST,22x35,10	
.2	PA+CF	6006-001095	SCREW-ASSY YAPT:WPBH,+M4,L12,ZPC(YEL)	S.N.A	....4	CN601	3711-003043	CONNECTOR-HEADER:BOX,4P,1R,2.5mm,STRAIGH	
.2	SPK+CF	6003-001026	SCREW-TAPTITE:RH,+B,M4,L15,ZPC(BLK),SWR	S.N.A	△	....4	CR401S	2301-001219	C-FILM,MPE-PPF:3.9nF,5%,1.6KV,TP29x8.5x
.2		AA63-10007C	BAND-PP:-,W18,-,CLEAR,1G,-	S.N.A	△	....4	CR402S	2306-000255	C-FILM,MPPF:7.4nF,3%,1.6KV,TP28.5x18.5x
.2		AA63-60004G	SPACER-GUM,CRT:NTR RUBBER,T3,0,GRY,-,-,-	S.N.A	△	....4	CR405S	2306-000204	C-FILM,MPPF:430nF,5%,400V,TP26x20.5x12
.2		AA64-00892B	INLAY BACK:D2,D3,RCA9PPS SHEET,TO,3,BLK	S.N.A	△	....4	CX801S	2306-000318	C-FILM,MPPF:220nF,20%,250V,TP,-,22.5mm
.2		AA64-31138A	CABINET-BACK,-,CT-633B,-,HIPS,V0,BLK,-,-	S.N.A	△	....4	CX802S	2306-000318	C-FILM,MPPF:220nF,20%,250V,TP,-,22.5mm
.2		AA65-30008A	CLAMP-CORD:PE,HB,BLK,-,-,-	S.N.A	△	....4	CY802S	2201-000446	C-CERAMIC,DISC:3.3nF,20%,400V,Y5U,TP,15x
<b>ASSY CABINET FRONT</b>					△	....4	D813	0402-000233	DIODE-RECTIFIER:FML-G12S,200V,5A,-,-
1	*	AA92-00550A	ASSY CABINET FRONT:TXK2554C/XAA		△	....4	FP801S	3601-001012	FUSE:250V,4A, SLOW-BLOW, GLASS, 5.2x20
.2	KC+CF	6003-001026	SCREW-TAPTITE:RH,+B,M4,L15,ZPC(BLK),SWR	S.N.A	△	....4	IC201S	1204-001633	IC-VIDEO PROCESS:VDP3112B-C3,DIP64P,709
.2	KNOPOW	AA61-60003J	SPRING-CS,-,SUS304,0.5,OD6,H12,N7,-,-,-	S.N.A	△	....4	IC301	AA96-50406A	ASSY-H/S,-,-,AA62-30180K,LA7845,-
.2		AA64-40473A	INDICATOR-LED,-,683B,-,PMMA,HB,CLEAR,-	S.N.A	....5	0205-000129		GREASE-SILICON:SC102,JAPAN	S.N.A
.2		AA64-40472A	WINDOW-REMOCON:-,683B,-,ABS,HB,LG 41338,	S.N.A	....5	1204-000517		IC-VERTICAL DEF.:LA7845,SIP,7P,-,PLASTIC	
.2		AA64-70117B	BADGE-BRAND:AL,SS,SILVER,L65,R2000,-,-	S.N.A	....5	6003-000333		SCREW-TAPTITE:RH,+2S,M3,L10,ZPC(YEL),SW	S.N.A
.2		AA65-30105A	CLAMP-WIRE:NYLON 66,V2,NTR,15MM,ALL MODE	S.N.A	....5	AA62-30180K		HEAT SINK-ES:-,A6063 EXTR,-,WHT,50/13,-,	S.N.A
.2		AA64-01541A	INLAY AV:633B,683B,PS SHEET,TO,3,-,-,-	S.N.A	△	....4	IC501	1201-000539	IC-VIDEO AMP:6101,ZIP,9P,-,SINGLE,-,PLAS
.2		AA61-40010B	BOSS-WING:-,HIPS,V0,BLK,-,-	S.N.A	△	....4	IC502	1201-000539	IC-VIDEO AMP:6101,ZIP,9P,-,SINGLE,-,PLAS
.2		AA64-10732A	KNOB-CONTROL:-,683B,-,ABS,HB,BLK	S.N.A	△	....4	IC503	1201-000539	IC-VIDEO AMP:6101,ZIP,9P,-,SINGLE,-,PLAS
.2		AA64-10733A	KNOB-POWER:-,683B,-,ABS,HB,BLK	S.N.A	△	....4	IC601	1204-001594	IC-SOUND PROCESSOR:MSP3440G-B6,SIDIP52P,
.2		AA64-31137A	CABINET-FRONT:-,CT-633B,BK708PHIPS,V0,B	S.N.A	△	....4	IC803	1203-002085	IC-VOLTAGE REGULATOR:78R08,TO-220,4P,-,P
<b>ASSY PCB CHASSISPACK</b>					△	....4	IC902	1103-001171	IC-EEPROM:L51DC,16KBit,DIP8P,300MIL,10m
1	*	AA93-00062A	ASSY PCB CHASSISPACK:-,KS2A,TXK2554C/XAA		....4	L808	AA27-00098A	COIL CHOKE:-,24uH,10%,-.0,1.3,0A,DR10X	
.2		AA90-00136G	ASSY-PACKING,PCB:CHASIS 24.6/131.2kg,K51	S.N.A	....4	LD901	AA96-00461A	ASSY LED GUIDE:-,-,SL-255D,RED/GRN	
.3	CHASIS	AA61-30009A	LOCKER-BAND,CLIP:-,SPC-1,-,-,18MM,TO,5,-	S.N.A	△	....4	LR401S	AA27-00074A	COIL LINEARITY:-,44uH,DR14x15,11mm,18x33
.3	CHASIS	AA63-10007C	BAND-PP:-,W18,-,CLEAR,1G,-	S.N.A	△	....4	LX801S	AA29-30002N	FILTER-LINE NOISE:-,16MH,1.5A,AC100-260V
.2		AA94-02926A	ASSY PCB MAIN(OPT):TXK2554C/XAA,KS2A,USA	S.N.A	△	....4	LX802S	AA29-30002N	FILTER-LINE NOISE:-,16MH,1.5A,AC100-260V
.3	C806	2401-001387	C-AL:470uF,20%,250V,GPBK,25.4x40,1	S.N.A	△	....4	NT802S	1404-001045	THERMISTOR-NTC:4.7OHM,15%,2900K,35.0mW,WT
.3	CN501B	AA39-20054B	LEAD CONNECTOR-ASSY:-,YBNH025-06,S,6P50	S.N.A	△	....4	PC801S	0604-001032	PHOTO-COUPLER:TR,170-260%,300mW,DIP-4,ST
.3	CN502B	AA39-20053A	LEAD CONNECTOR-ASSY:-,YBNH025-05,S,5P40	S.N.A	△	....4	RL801S	3501-001040	RELAY-POWER:12VDC,500mW,10A,1FormA,15mS,
△	D801S	0402-001082	DIODE-BRIDGE:RBV406LFB,600V,4A,-	S.N.A	△	....4	RM901	AA59-60001U	MODULE-REMOCON:-,ORC-50VF/SR-12V,38KHz,9
△	DDR01	AA96-00469F	ASSY H/S:-,REGULATOR,AA62-00053B,D10U60	S.N.A	△	....4	SW906	3404-001004	SWITCH-TACT:12V,50MA,160GF,8.4X22.7MM,SP
....4		AA62-00053B	HEAT SINK:DREAM (D2,D3),AL,T1,0,147,50,	S.N.A	△	....4	T401	AA26-50001R	TRANS-HORIZ.DRIVE:-,80MH,520UH,4UH,G11A
....4		6003-000334	SCREW-TAPTITE:RH,+2S,M3,L6,ZPC(YEL),SWR	S.N.A	△	....4	TU01S	AA40-00021A	TUNER-F/S:TCPN3081PA09A(S),NTSC,TR,181CH
....4		1203-002018	IC-VOLTAGE REGULATOR:78R05,TO-220,4P,10M	S.N.A	△	....4	V999S	3704-001105	SOCKET-CRT:11P,20PI,26.5PI,NI-
....4		0402-001375	DIODE-RECTIFIER:FFPF10U20S,200V,10A,TO-2	S.N.A	....4	C102	2401-002463	C-AL:470uF,20%,16V,GP,TP,8x11,5,5	
....4		0402-001358	DIODE-RECTIFIER:FFPF10U60S,600V,10A,TO-2	S.N.A	....5	C103	2301-000383	C-FILM,PEF:10nF,5%,50V,TP,6x7x3.2mm,5mm	
....4		0205-000129	GREASE-SILICON:SC102,JAPAN	S.N.A	....5	C104	2401-001363	C-AL:470uF,20%,16V,GP,TP,10x12.5,5	
△	DH01	AA96-00275C	ASSY H/S:-,POWER,AA62-00051A,2SD1880YD,	S.N.A	....5	C105	2301-000383	C-FILM,PEF:10nF,5%,50V,TP,6x7x3.2mm,5mm	
....4		6003-000333	SCREW-TAPTITE:RH,+2S,M3,L10,ZPC(YEL),SW	S.N.A	....5	C106	2401-000603	C-AL:1uF,20%,50V,GP,TP,5x11,5	
....4		AA62-00051A	HEAT SINK-PS:-,-,SILVER,HOLE 31mm,ALL,	S.N.A	....5	C115	2202-000121	C-CERAMIC,MLC-AXIAL:100pF,10%,50V,Y5P,TP	
....4		AA60-30001A	WASHER-PLATE:M3,ID3.5,15X8.5,T1,0,-,SBHG	S.N.A	....5	C116	2202-000121	C-CERAMIC,MLC-AXIAL:100pF,10%,50V,Y5P,TP	
....4		0502-000209	TR-POWER:2SD1880YD,NPN,70W,TO-3P,ST,8	S.N.A	....5	C201	2401-000553	C-AL:1uF,10%,50V,GP,TP,5x11,5	
....4		0205-000129	GREASE-SILICON:SC102,JAPAN	S.N.A	....5	C202	2401-001840	C-AL:100uF,20%,16V,GP,TP,6.3x11,5	
△	IC602	AA96-50398B	ASSY H/S:-,-,AA62-30182E,TDA7266S,-	S.N.A	....5	C203	2401-000660	C-AL:2.2uF,20%,50V,GP,TP,5x11,5	
....4		0205-000129	GREASE-SILICON:SC102,JAPAN	S.N.A	....5	C211	2202-000796	C-CERAMIC,MLC-AXIAL:1nF,10%,50V,Y5P,TP3	
....4		1201-001308	IC-POWER AMP:7266,ZIP,15P,-,DUAL,26dB,PL	S.N.A	....5	C212	2301-000224	C-FILM,PEF:22nF,5%,50V,TP,7.4x3.9x13mm,5	
....4		6003-000333	SCREW-TAPTITE:RH,+2S,M3,L10,ZPC(YEL),SW	S.N.A	....5	C213	2301-000247	C-FILM,PEF:33nF,5%,50V,TP,8.1x4.5x13mm,5	
....4		AA62-30182E	HEAT SINK-ES:-,A6063 EXTR,-,WHT,-,-,40	S.N.A	....5	C214	2305-000665	C-FILM,MPEF:100nF,5%,63V,TP,7.5x4.0x5.0m	
△	IC801S	AA96-50373C	ASSY H/S:-,-,AA62-30181K,KA3S1265R,-	S.N.A	....5	C215	2401-002235	C-AL:10uF,20%,16V,GP,TP,5x11mm,5mm	
....4		AA62-30181K	HEAT SINK-ES:-,AL6063 EXTR,2,WHT,40MM,-	S.N.A	....5	C216	2305-000665	C-FILM,MPEF:100nF,5%,63V,TP,7.5x4.0x5.0m	
....4		AA61-10386A	BRACKETIC:-,-,SECC 100,T1,0,-,KA2S0680,	S.N.A	....5	C217	2401-001026	C-AL:3.3uF,20%,50V,GP,TP,5x11,5	
....4		6003-000333	SCREW-TAPTITE:RH,+2S,M3,L10,ZPC(YEL),SW	S.N.A	....5	C218	2202-002037	C-CERAMIC,MLC-AXIAL:100nF,80-20%,50V,Y5V	
....4		1203-001482	IC-PWM CONTROLLER:3S1265R,TO-3P,5P,210P	S.N.A	....5	C219	2202-002037	C-CERAMIC,MLC-AXIAL:100nF,80-20%,50V,Y5V	
....4		0205-000129	GREASE-SILICON:SC102,JAPAN	S.N.A	....5	C220	2202-002037	C-CERAMIC,MLC-AXIAL:100nF,80-20%,50V,Y5V	
△	IC804	AA96-00243C	ASSY H/S:-,REGULATOR,AA62-00045A,KA7806	S.N.A	....5	C221	2202-002037	C-CERAMIC,MLC-AXIAL:100nF,80-20%,50V,Y5V	
....4		0205-000129	GREASE-SILICON:SC102,JAPAN	S.N.A	....5	C222	2202-002037	C-CERAMIC,MLC-AXIAL:100nF,80-20%,50V,Y5V	
....4		1203-000284	IC-POS.FIXED REG.:7806,TO-220,3P,-,PLAS	S.N.A	....5	C223	2202-002037	C-CERAMIC,MLC-AXIAL:100nF,80-20%,50V,Y5V	
....4		6003-000335	SCREW-TAPTITE:RH,+2S,M3,L8,ZPC(YEL),SWR	S.N.A	....5	C224	2201-002031	C-CERAMIC,DISC:0.005nF,0.5pF,50V,NPO,TP,	
....4		AA62-00045A	HEAT SINK-PS:-,-,T1,0,-,-,DREAM,-,-,-,-	S.N.A	....5	C225	2201-002031	C-CERAMIC,DISC:0.005nF,0.5pF,50V,NPO,TP,	
△	IC901	AA09-00041A	IC-MCU:SDA555X-OTP,SDA555X-OTP,-,-,52	S.N.A	....5	C228	2301-000356	C-FILM,PEF:47nF,5%,50V,TP,7.5x4.0x6.5,5m	
....3	JA701	3722-001333	JACK-RCA:9P,3.2mm,NI,BLK,-	S.N.A	....5	C229	2401-002235	C-AL:10uF,20%,16V,GP,TP,5x11mm,5mm	
△	P802S	1404-000208	THERMISTOR-PTC:7ohm,20%,120V,140V,40A,-	S.N.A	....5	C231	2401-002235	C-AL:10uF,20%,16V,GP,TP,5x11mm,5mm	
△	T444S	AA26-00013A	TRANS-FLYBACK:-,FUH-29A001(A)(S),29,130V	S.N.A	....5	C232	2202-002037	C-CERAMIC,MLC-AXIAL:100nF,80-20%,50V,Y5V	
△	T801S	AA26-00044C	TRANS SWITCHING:CODE-NO,CT-21A8,-,AC90-2	S.N.A	....5	C233	2305-000412	C-FILM,MPEF:470nF,5%,63V,TP,-,5mm	
....3		AA99-30195R	ASSY-PCB ROBOT: AA94-02926A_ER	S.N.A	....5	C235	2305-000412	C-FILM,MPEF:470nF,5%,63V,TP,-,5mm	
....4	C407	2301-001338	C-FILM,MPE-PPF:0.68nF,5%,1.6KV,TP,28x7x1	S.N.A	....5	C236	2305-000412	C-FILM,MPEF:470nF,5%,63V,TP,-,5mm	
....4					....5	C237	2401-000914	C-AL:22uF,20%,16V,GP,TP,5x11,5	
....4					....5	C239	2401-000603	C-AL:1uF,20%,50V,GP,TP,5x11,5	
....4					....5	C240	2201-000354	C-CERAMIC,DISC:0.02nF,5%,50V,NPO,TP,5x3,	
....4					....5	C242	2301-000310	C-FILM,PEF:68nF,5%,50V,TP,8.0x8.5x4.0x5,	
....4					....5	C243	2202-000121	C-CERAMIC,MLC-AXIAL:100pF,10%,50V,Y5P,TP	
....4					....5	C244	2202-000121	C-CERAMIC,MLC-AXIAL:100pF,10%,50V,Y5P,TP	
....4					....5	C245	2202-000121	C-CERAMIC,MLC-AXIAL:100pF,10%,50V,Y5P,TP	

Level	Loc. No.	Code No.	Description ; Specification	Remark	Level	Loc. No.	Code No.	Description ; Specification	Remark
.....5	C247	2001-000362	R-CARBON:1500HM,5%,1/8W,AA,TP,1.8X3.2MM		.....5	C820	2401-001054	C-AL:3300uf,20%,25V,GP,TP,18x25,7.5	
.....5	C301	2401-000603	C-AL:1uf,20%,50V,GP,TP,5x11,5		.....5	C821	2301-000192	C-FILM,PEF:1nf,5%,50V,TP,5.3x10mm,5mm	
.....5	C302	2401-000326	C-AL:100uf,20%,35V,GP,TP,8x11.5,5		.....5	C822	2201-000599	C-CERAMIC,DISC:0.56nF,10%,500V,Y5P,TP,5	
.....5	C303	2201-002031	C-CERAMIC,DISC:0.005nF,0.5pf,50V,NPO,TP		.....5	C823	2305-000665	C-FILM,MPEF:100nF,5%,63V,TP,7.5x4.0x5.0m	
.....5	C304	2305-000285	C-FILM,MPEF:220nF,5%,100V,TP,10.5X5.5X15		.....5	C825	2306-000122	C-FILM,MPPF:100nF,5%,50V,TP,7.3x4.0x5.0m	
.....5	C305	2305-000178	C-FILM,MPEF:10nF,5%,100V,TP,-.5mm		.....5	C826	2401-001363	C-AL:470uf,20%,16V,GP,TP,10x12,5,5	
.....5	C306	2301-000342	C-FILM,PEF:2.2nF,5%,50V,TP,7.4x3.9x13mm,		.....5	C827	2401-002235	C-AL:10uf,20%,16V,GP,TP,5x11mm,5mm	
.....5	C307	2401-000360	C-AL:100uf,20%,50V,GP,TP,8x11.5,5		.....5	C829	2305-000665	C-FILM,MPEF:100nF,5%,63V,TP,7.5x4.0x5.0m	
.....5	C308	2305-000665	C-FILM,MPEF:100nF,5%,63V,TP,7.5x4.0x5.0m		.....5	C831	2305-000665	C-FILM,MPEF:100nF,5%,63V,TP,7.5x4.0x5.0m	
.....5	C401	2201-000556	C-CERAMIC,DISC:0.47nF,10%,500V,Y5P,TP,5		.....5	C832	2401-001840	C-AL:100uf,20%,16V,GP,TP,6.3x11,5	
.....5	C402	2401-001397	C-AL:470uf,20%,25V,GP,TP,10x16,5		.....5	C835	2401-002286	C-AL:470uf,20%,16V,WT,TP,10x12,5,5	
.....5	C403	2201-000556	C-CERAMIC,DISC:0.47nF,10%,500V,Y5P,TP,5		.....5	C837	2305-000665	C-FILM,MPEF:100nF,5%,63V,TP,7.5x4.0x5.0m	
.....5	C404	2401-001397	C-AL:470uf,20%,25V,GP,TP,10x16,5		.....5	C838	2401-001840	C-AL:100uf,20%,16V,GP,TP,6.3x11,5	
.....5	C408	2305-000382	C-FILM,MPEF:4.7nf,5%,400V,TP,-.5mm		.....5	C839	2305-000665	C-FILM,MPEF:100nF,5%,63V,TP,7.5x4.0x5.0m	
.....5	C412	2305-000178	C-FILM,MPEF:10nF,5%,100V,TP,-.5mm		.....5	C840	2401-002235	C-AL:10uf,20%,16V,GP,TP,5x11mm,5mm	
.....5	C414	2401-002597	C-AL:220uf,20%,35V,GP,TP,10x12,5,5		.....5	C843	2201-000681	C-CERAMIC,DISC:0.082nF,5%,50V,SL,TP,5x3	
.....5	C420	2301-001065	C-FILM,MPPF:47nf,5%,630V,TP,19x15.5x7.7		.....5	C901	2202-002037	C-CERAMIC,MLC-AXIAL:100nF,80-20%,50V,Y5V	
.....5	C421	2201-000556	C-CERAMIC,DISC:0.47nF,10%,500V,Y5P,TP,5		.....5	C902	2401-000553	C-AL:1uf,10%,50V,GP,TP,5x11,5	
.....5	C422	2401-001527	C-AL:47uf,20%,250V,HR,TP,13x25mm,5m		.....5	C904	2401-000302	C-AL:100uf,20%,25V,GP,TP,6.3x11,5	
.....5	C424	2201-000132	C-CERAMIC,DISC:0.1nF,10%,500V,Y5P,TP,6.5		.....5	C905	2202-000796	C-CERAMIC,MLC-AXIAL:1nF,10%,50V,Y5P,TP,3	
.....5	C427	2401-002267	C-AL:2.2uf,20%,250V,GP,TP,8x11.5,5		.....5	C907	2305-000665	C-FILM,MPEF:100nF,5%,63V,TP,7.5x4.0x5.0m	
.....5	C504	2305-000704	C-FILM,MPEF:100nF,5%,250V,TP,16.5x10.3x5		.....5	C908	2202-000863	C-CERAMIC,MLC-AXIAL:560pf,10%,50V,Y5P,TP	
.....5	C505	2201-000599	C-CERAMIC,DISC:0.56nF,10%,500V,Y5P,TP,5		.....5	C910	2201-000980	C-CERAMIC,DISC:0.03nF,5%,50V,NPO,TP,5x3	
.....5	C506	2305-000704	C-FILM,MPEF:100nF,5%,250V,TP,16.5x10.3x5		.....5	C911	2201-000980	C-CERAMIC,DISC:0.03nF,5%,50V,NPO,TP,5x3	
.....5	C507	2201-000599	C-CERAMIC,DISC:0.56nF,10%,500V,Y5P,TP,5		.....5	C912	2202-000719	C-CERAMIC,MLC-AXIAL:6.8nF,20%,16V,Y5R,3	
.....5	C508	2305-000704	C-FILM,MPEF:100nF,5%,250V,TP,16.5x10.3x5		.....5	C913	2401-000287	C-AL:100uf,20%,16V,WT,TP,6.3x11,5	
.....5	C509	2201-000599	C-CERAMIC,DISC:0.56nF,10%,500V,Y5P,TP,5		.....5	C914	2305-000665	C-FILM,MPEF:100nF,5%,63V,TP,7.5x4.0x5.0m	
.....5	C511	2401-000493	C-AL:10uf,20%,50V,LZ,TP,5x11mm,5mm		.....5	C915	2401-000287	C-AL:100uf,20%,16V,WT,TP,6.3x11,5	
.....5	C512	2401-000914	C-AL:22uf,20%,16V,GP,TP,5x11,5		.....5	C916	2305-000665	C-FILM,MPEF:100nF,5%,63V,TP,7.5x4.0x5.0m	
.....5	C513	2301-000192	C-FILM,PEF:1nf,5%,50V,TP,5.3x10mm,5mm		.....5	C917	2401-001840	C-AL:100uf,20%,16V,GP,TP,6.3x11,5	
.....5	C514	2401-000430	C-AL:10uf,20%,250V,GP,TP,10x16mm,5m		.....5	C918	2401-001840	C-AL:100uf,20%,16V,GP,TP,6.3x11,5	
.....5	C515	2401-001232	C-AL:4.7uf,20%,250V,GP,TP,10x12,5,5		.....5	C919	2305-000665	C-FILM,MPEF:100nF,5%,63V,TP,7.5x4.0x5.0m	
.....5	C516	2201-002063	C-CERAMIC,DISC:10nF,+80-20%,3KV,Y5V,TP,1		.....5	C920	2401-000480	C-AL:10uf,20%,50V,GP,TP,5x11,5	
.....5	C605	2305-000665	C-FILM,MPEF:100nF,5%,63V,TP,7.5x4.0x5.0m		.....5	C921	2202-002037	C-CERAMIC,MLC-AXIAL:100nF,80-20%,50V,Y5V	
.....5	C607	2202-000796	C-CERAMIC,MLC-AXIAL:1nF,10%,50V,Y5P,TP,3		.....5	CG501	AA27-00084A	COIL:S-23,-,-,-,-,-,S-23,5000Mohm	
.....5	C608	2202-000796	C-CERAMIC,MLC-AXIAL:1nF,10%,50V,Y5P,TP,3		.....5	CG502	AA27-00084A	COIL:S-23,-,-,-,-,-,S-23,5000Mohm	
.....5	C610	2301-000314	C-FILM,PEF:8.2nf,5%,50V,TP,6.5x3.0x5.5mm		.....5	CG503	AA27-00084A	COIL:S-23,-,-,-,-,-,S-23,5000Mohm	
.....5	C611	2301-000314	C-FILM,PEF:8.2nf,5%,50V,TP,6.5x3.0x5.5mm		.....5	CN701	3711-002647	CONNECTOR-HEADER:BOX,8P,1R,2.5mm,STRAIGHT	
.....5	C612	2401-001914	C-AL:1uf,20%,50V,BP,TP,5x11,5		.....5	CR01S	2201-000556	C-CERAMIC,DISC:0.47nF,10%,500V,Y5P,TP,5	
.....5	C613	2401-001914	C-AL:1uf,20%,50V,BP,TP,5x11,5		.....5	CR02S	2401-002212	C-AL:10uf,20%,25V,WT,TP,5x11,5	
.....5	C617	2401-000493	C-AL:10uf,20%,50V,LZ,TP,5x11mm,5mm		.....5	CR03S	2401-002235	C-AL:10uf,20%,16V,GP,TP,5x11mm,5mm	
.....5	C620	2305-000665	C-FILM,MPEF:100nF,5%,63V,TP,7.5x4.0x5.0m		.....5	CR04S	2305-000412	C-FILM,MPEF:470nF,5%,63V,TP,-.5mm	
.....5	C621	2401-001998	C-AL:1000uf,20%,25V,GP,TP,10x20,5mm		.....5	CW901	2503-000156	C-NETWORK:100pfX4,20%,50V	
.....5	C626	2401-001989	C-AL:4.7uf,20%,50V,BP,TP,5x11,5		.....5	D201	0401-000005	DIODE-SWITCHING:1N4148,100V,200MA,DO-35	
.....5	C628	2401-001989	C-AL:4.7uf,20%,50V,BP,TP,5x11,5		.....5	D202	0401-000005	DIODE-SWITCHING:1N4148,100V,200MA,DO-35	
.....5	C630	2401-002235	C-AL:10uf,20%,16V,GP,TP,5x11mm,5mm		.....5	D203	0404-000156	DIODE-SCHOTTKY:RB441Q,10V,100mA,DO-34,TP	
.....5	C631	2401-002235	C-AL:10uf,20%,16V,GP,TP,5x11mm,5mm		.....5	D204	0404-000156	DIODE-SCHOTTKY:RB441Q,10V,100mA,DO-34,TP	
.....5	C632	2202-000231	C-CERAMIC,MLC-AXIAL:330pf,10%,50V,Y5P,TP		.....5	D205	0404-000156	DIODE-SCHOTTKY:RB441Q,10V,100mA,DO-34,TP	
.....5	C634	2401-001840	C-AL:100uf,20%,16V,GP,TP,6.3x11,5		.....5	D206	0404-000156	DIODE-SCHOTTKY:RB441Q,10V,100mA,DO-34,TP	
.....5	C635	2305-000665	C-FILM,MPEF:100nF,5%,63V,TP,7.5x4.0x5.0m		.....5	D207	0401-000005	DIODE-SWITCHING:1N4148,100V,200MA,DO-35	
.....5	C636	2401-001026	C-AL:3.3uf,20%,50V,GP,TP,5x11,5		.....5	D208	0401-000005	DIODE-SWITCHING:1N4148,100V,200MA,DO-35	
.....5	C637	2401-000027	C-AL:4.7uf,20%,50V,GP,TP,5x11,5		.....5	D209	0401-000005	DIODE-SWITCHING:1N4148,100V,200MA,DO-35	
.....5	C640	2401-000027	C-AL:4.7uf,20%,50V,GP,TP,5x11,5		.....5	D210	0401-000005	DIODE-SWITCHING:1N4148,100V,200MA,DO-35	
.....5	C641	2401-000027	C-AL:4.7uf,20%,50V,GP,TP,5x11,5		.....5	D212	0401-000005	DIODE-SWITCHING:1N4148,100V,200MA,DO-35	
.....5	C643	2401-000027	C-AL:4.7uf,20%,50V,GP,TP,5x11,5		.....5	D301	0402-000546	DIODE-RECTIFIER:TVR10G,400V,1.0A,DO-41,T	
.....5	C645	2401-002235	C-AL:10uf,20%,16V,GP,TP,5x11mm,5mm		.....5	D401	0402-000540	DIODE-RECTIFIER:RU20A,600V,1.5A,-,TP	
.....5	C646	2305-000665	C-FILM,MPEF:100nF,5%,63V,TP,7.5x4.0x5.0m		.....5	D402	0402-000540	DIODE-RECTIFIER:RU20A,600V,1.5A,-,TP	
.....5	C647	2202-000286	C-CERAMIC,MLC-AXIAL:56pf,5%,50V,SL,TP,1		.....5	D403	0402-001321	DIODE-RECTIFIER:1A4G,400,1A,R-1,TP	
.....5	C648	2401-001989	C-AL:4.7uf,20%,50V,BP,TP,5x11,5		.....5	D406	0402-001321	DIODE-RECTIFIER:1A4G,400,1A,R-1,TP	
.....5	C650	2201-000558	C-CERAMIC,DISC:0.47nF,10%,50V,Y5P,TP,5x3		.....5	D407	0402-000493	DIODE-RECTIFIER:1R5GU41,400V,1.5A,DO-15L	
.....5	C652	2401-001840	C-AL:100uf,20%,16V,GP,TP,6.3x11,5		.....5	D408	0402-000546	DIODE-RECTIFIER:TVR10G,400V,1.0A,DO-41,T	
.....5	C654	2202-000286	C-CERAMIC,MLC-AXIAL:56pf,5%,50V,SL,TP,1		.....5	D411	0402-000546	DIODE-RECTIFIER:TVR10G,400V,1.0A,DO-41,T	
.....5	C656	2201-000304	C-CERAMIC,DISC:0.001nF,0.25pf,50V,NPO,TP		.....5	D413	0402-000537	DIODE-RECTIFIER:RH1A,600V,0.6A,DO-204AC	
.....5	C657	2201-000304	C-CERAMIC,DISC:0.001nF,0.25pf,50V,NPO,TP		.....5	D502	0402-001321	DIODE-RECTIFIER:1A4G,400,1A,R-1,TP	
.....5	C660	2401-001840	C-AL:100uf,20%,16V,GP,TP,6.3x11,5		.....5	D503	0401-000005	DIODE-SWITCHING:1N4148,100V,200MA,DO-35	
.....5	C803	2301-000356	C-FILM,PEF:47nf,5%,50V,TP,7.5x4.0x6.5,5m		.....5	D504	0401-000005	DIODE-SWITCHING:1N4148,100V,200MA,DO-35	
.....5	C804	2201-000332	C-CERAMIC,DISC:2.2nF,20%,250V,Y5U,TP,9x4		.....5	D505	0401-000005	DIODE-SWITCHING:1N4148,100V,200MA,DO-35	
.....5	C805	2201-000332	C-CERAMIC,DISC:2.2nF,20%,250V,Y5U,TP,9x4		.....5	D602	0401-000005	DIODE-SWITCHING:1N4148,100V,200MA,DO-35	
.....5	C807	2301-001342	C-FILM,PPF:1.5nF,5%,800V,TP,15x6.5x11.5mm		.....5	D801	0402-001111	DIODE-RECTIFIER:1N5397GP,600V,1.5A,DO-21	
.....5	C808	2401-002300	C-AL:47uf,20%,50V,GP,TP,6.3x11,5		.....5	D803	0402-000546	DIODE-RECTIFIER:TVR10G,400V,1.0A,DO-41,T	
.....5	C809	2301-000356	C-FILM,PEF:47nf,5%,50V,TP,7.5x4.0x6.5,5m		.....5	D804	0401-000005	DIODE-SWITCHING:1N4148,100V,200MA,DO-35	
.....5	C811	2301-000310	C-FILM,PEF:68nF,5%,50V,TP,8.0X8.5X4.0X5		.....5	D808	0402-001321	DIODE-RECTIFIER:1A4G,400,1A,R-1,TP	
.....5	C814	2201-000991	C-CERAMIC,DISC:0.56nF,10%,2KV,Y5P,TP,7.5		.....5	D810	0402-001321	DIODE-RECTIFIER:1A4G,400,1A,R-1,TP	
.....5	C816	2401-000262	C-AL:100uf,20%,160V,HR,TP,16x25,7.5		.....5	D811	0402-001321	DIODE-RECTIFIER:1A4G,400,1A,R-1,TP	
.....5	C817	2201-000599	C-CERAMIC,DISC:0.56nF,10%,500V,Y5P,TP,5		.....5	D901	0404-000156	DIODE-SCHOTTKY:RB441Q,10V,100mA,DO-34,TP	
.....5	C818	2401-000722	C-AL:2200uf,20%,25V,WT,TP,16x25,7.5		.....5	D902	0404-000156	DIODE-SCHOTTKY:RB441Q,10V,100mA,DO-34,TP	
.....5	C819	2201-000599	C-CERAMIC,DISC:0.56nF,10%,500V,Y5P,TP,5		.....5	D903	0404-000156	DIODE-SCHOTTKY:RB441Q,10V,100mA,DO-34,TP	



Level	Loc. No.	Code No.	Description ; Specification	Remark	Level	Loc. No.	Code No.	Description ; Specification	Remark
.....5	R256	2001-000281	R-CARBON:1000HM,5%,1/8W,AA,TP,1.8X3.2MM		.....5	R613	2001-000281	R-CARBON:1000HM,5%,1/8W,AA,TP,1.8X3.2MM	
.....5	R258	2001-000969	R-CARBON:750HM,5%,1/8W,AA,TP,1.8X3.2MM		.....5	R614	2001-000780	R-CARBON:4700HM,5%,1/8W,AA,TP,1.8X3.2MM	
.....5	R259	2001-000515	R-CARBON:2200HM,5%,1/8W,AA,TP,1.8X3.2MM		.....5	R615	2001-000780	R-CARBON:4700HM,5%,1/8W,AA,TP,1.8X3.2MM	
.....5	R260	2001-000290	R-CARBON:10KOHM,5%,1/8W,AA,TP,1.8X3.2MM		.....5	R616	2001-000780	R-CARBON:4700HM,5%,1/8W,AA,TP,1.8X3.2MM	
.....5	R261	2001-000290	R-CARBON:10KOHM,5%,1/8W,AA,TP,1.8X3.2MM		.....5	R617	2001-000780	R-CARBON:4700HM,5%,1/8W,AA,TP,1.8X3.2MM	
.....5	R262	2001-000290	R-CARBON:10KOHM,5%,1/8W,AA,TP,1.8X3.2MM		.....5	R619	2001-000281	R-CARBON:1000HM,5%,1/8W,AA,TP,1.8X3.2MM	
.....5	R263	2001-000786	R-CARBON:47KOHM,5%,1/8W,AA,TP,1.8X3.2MM		.....5	R620	2001-000290	R-CARBON:10KOHM,5%,1/8W,AA,TP,1.8X3.2MM	
.....5	R264	2001-000003	R-CARBON:330ohm,5%,1/8W,AA,TP,1.8x3.2mm		.....5	R621	2001-000890	R-CARBON:6.8KOHM,5%,1/8W,AA,TP,1.8X3.2M	
.....5	R265	2001-000003	R-CARBON:330ohm,5%,1/8W,AA,TP,1.8x3.2mm		.....5	R622	2001-000890	R-CARBON:6.8KOHM,5%,1/8W,AA,TP,1.8X3.2M	
.....5	R267	2001-000003	R-CARBON:330ohm,5%,1/8W,AA,TP,1.8x3.2mm		.....5	R623	2001-000281	R-CARBON:1000HM,5%,1/8W,AA,TP,1.8X3.2MM	
.....5	R301	2004-001397	R-METAL(S):4.7Kohm,1%,1/2W,AA,TP,2.4x6.4		.....5	R666	2009-001011	R-METAL PLATE:0.18ohm,10%,5W,CL,TP,5x14x	
.....5	R302	2004-001984	R-METAL(S):26.7Kohm,1%,1/2W,AA,TP,2.4x6.4		.....5	R701	2001-000969	R-CARBON:750HM,5%,1/8W,AA,TP,1.8X3.2MM	
.....5	R303	2001-000016	R-CARBON(S):10HM,5%,1/2W,AA,TP,2.4X6.4MM		.....5	R702	2001-000969	R-CARBON:750HM,5%,1/8W,AA,TP,1.8X3.2MM	
.....5	R304	2008-000254	R-FUSIBLE(S):0.68ohm,5%,2W,AF,TP,3.9x10m		.....5	R703	2001-000969	R-CARBON:750HM,5%,1/8W,AA,TP,1.8X3.2MM	
.....5	R305	2008-001107	R-FUSIBLE(S):300ohm,5%,2W,AG,TP,3.9x12mm		.....5	R704	2001-000969	R-CARBON:750HM,5%,1/8W,AA,TP,1.8X3.2MM	
.....5	R306	2008-001107	R-FUSIBLE(S):300ohm,5%,2W,AG,TP,3.9x12mm		.....5	R705	2001-000969	R-CARBON:750HM,5%,1/8W,AA,TP,1.8X3.2MM	
.....5	R309	2001-000290	R-CARBON:10KOHM,5%,1/8W,AA,TP,1.8X3.2MM		.....5	R706	2001-000281	R-CARBON:1000HM,5%,1/8W,AA,TP,1.8X3.2MM	
.....5	R310	2001-000290	R-CARBON:10KOHM,5%,1/8W,AA,TP,1.8X3.2MM		.....5	R707	2001-000281	R-CARBON:1000HM,5%,1/8W,AA,TP,1.8X3.2MM	
.....5	R313	2001-000890	R-CARBON:6.8KOHM,5%,1/8W,AA,TP,1.8X3.2M		.....5	R708	2001-000281	R-CARBON:1000HM,5%,1/8W,AA,TP,1.8X3.2MM	
.....5	R314	2004-001986	R-METAL(S):35.7Kohm,1%,1/2W,AA,TP,2.4x6.4		.....5	R709	2001-000938	R-CARBON:680HM,5%,1/8W,AA,TP,1.8X3.2MM	
.....5	R315	2004-004970	R-METAL(S):62Kohm,1%,1/8W,AA,TP,1.8x3.2m		.....5	R715	2001-000290	R-CARBON:10KOHM,5%,1/8W,AA,TP,1.8X3.2MM	
.....5	R401	2003-002186	R-METAL OXIDE(S):22Kohm,5%,2W,AG,TP,3.9x		.....5	R716	2001-000290	R-CARBON:10KOHM,5%,1/8W,AA,TP,1.8X3.2MM	
.....5	R402	2003-002186	R-METAL OXIDE(S):22Kohm,5%,2W,AG,TP,3.9x		.....5	R719	2001-000969	R-CARBON:750HM,5%,1/8W,AA,TP,1.8X3.2MM	
.....5	R403	2003-002037	R-METAL OXIDE(S):270ohm,5%,2W,AF,TP,3.9x		.....5	R723	2001-000281	R-CARBON:1000HM,5%,1/8W,AA,TP,1.8X3.2MM	
.....5	R405	2008-001018	R-FUSIBLE(S):0.47ohm,10%,2W,AF,TP,3.9x10		.....5	R730	2001-000281	R-CARBON:1000HM,5%,1/8W,AA,TP,1.8X3.2MM	
.....5	R407	2001-000066	R-CARBON(S):10KOHM,5%,1/2W,AA,TP,2.4X6.4		.....5	R731	2001-000281	R-CARBON:1000HM,5%,1/8W,AA,TP,1.8X3.2MM	
.....5	R408	2008-000284	R-FUSIBLE(S):0.10HM,10%,2W,AF,TP,3.9X10M		.....5	R802	2003-001025	R-METAL OXIDE(S):15Kohm,5%,2W,AF,TP,3.9x	
.....5	R409	2001-001410	R-CARBON(S):430HM,5%,1/2W,AA,TP,2.4X6.4M		.....5	R803	2003-001025	R-METAL OXIDE(S):15Kohm,5%,2W,AF,TP,3.9x	
.....5	R410	2001-001114	R-CARBON(S):2700HM,5%,1/2W,AA,TP,2.4X6.4		.....5	R804	2003-001025	R-METAL OXIDE(S):15Kohm,5%,2W,AF,TP,3.9x	
.....5	R412	2001-000020	R-CARBON(S):220HM,5%,1/2W,AA,TP,2.4X6.4M		.....5	R805	2001-001150	R-CARBON(S):470KOHM,5%,1/2W,AA,TP,2.4X6.4	
.....5	R414	2001-001165	R-CARBON(S):560HM,5%,1/2W,AA,TP,2.4X6.4M		.....5	R806	2001-001150	R-CARBON(S):470KOHM,5%,1/2W,AA,TP,2.4X6.4	
.....5	R424	2008-001018	R-FUSIBLE(S):0.47ohm,10%,2W,AF,TP,3.9x10		.....5	R807	2003-000746	R-METAL OXIDE(S):56ohm,5%,2W,AF,TP,4x12m	
.....5	R425	2008-001018	R-FUSIBLE(S):0.47ohm,10%,2W,AF,TP,3.9x10		.....5	R808	2003-000746	R-METAL OXIDE(S):56ohm,5%,2W,AF,TP,4x12m	
.....5	R426	2003-000540	R-METAL OXIDE(S):1Kohm,5%,2W,AF,TP,4x12m		.....5	R809	2001-000022	R-CARBON(S):330HM,5%,1/2W,AA,TP,2.4X6.4M	
.....5	R429	2004-001397	R-METAL(S):4.7Kohm,1%,1/2W,AA,TP,2.4x6.4		.....5	R810	2001-001178	R-CARBON(S):6800HM,5%,1/2W,AA,TP,2.4X6.4	
.....5	R432	2004-001397	R-METAL(S):4.7Kohm,1%,1/2W,AA,TP,2.4x6.4		.....5	R811	2001-001135	R-CARBON(S):36KOHM,5%,1/2W,AA,TP,2.4X6.4	
.....5	R433	2008-001127	R-FUSIBLE(S):6.8Kohm,5%,1W,AF,TP,3.9X10m		.....5	R812	2001-000780	R-CARBON:4700HM,5%,1/8W,AA,TP,1.8X3.2MM	
.....5	R434	2003-000664	R-METAL OXIDE(S):33ohm,5%,2W,AF,TP,4x12m		.....5	R813	2001-001153	R-CARBON(S):470HM,5%,1/2W,AA,TP,2.4X6.4M	
.....5	R436	2003-002151	R-METAL OXIDE:18KOHM,5%,2W,AG,TP,6X16MM		.....5	R816	2001-001088	R-CARBON(S):1KOHM,5%,1/2W,AA,TP,2.4X6.4M	
.....5	R501	2001-000429	R-CARBON:1KOHM,5%,1/8W,AA,TP,1.8X3.2MM		.....5	R817	2001-001088	R-CARBON(S):1KOHM,5%,1/2W,AA,TP,2.4X6.4M	
.....5	R502	2001-000429	R-CARBON:1KOHM,5%,1/8W,AA,TP,1.8X3.2MM		.....5	R818	2001-001113	R-CARBON(S):270KOHM,5%,1/2W,AA,TP,2.4X6.4	
.....5	R503	2001-000429	R-CARBON:1KOHM,5%,1/8W,AA,TP,1.8X3.2MM		.....5	R819	2004-001983	R-METAL(S):2.49Kohm,1%,1/2W,AA,TP,2.4x6.4	
.....5	R504	2001-000449	R-CARBON:2.2KOHM,5%,1/8W,AA,TP,1.8X3.2M		.....5	R821	2004-001889	R-METAL(S):127Kohm,1%,1/2W,AA,TP,2.5x6.5	
.....5	R505	2001-000449	R-CARBON:2.2KOHM,5%,1/8W,AA,TP,1.8X3.2M		.....5	R824	2001-000522	R-CARBON:22KOHM,5%,1/8W,AA,TP,1.8X3.2MM	
.....5	R506	2001-000449	R-CARBON:2.2KOHM,5%,1/8W,AA,TP,1.8X3.2M		.....5	R825	2001-000066	R-CARBON(S):10KOHM,5%,1/2W,AA,TP,2.4X6.4	
.....5	R507	2001-000085	R-CARBON(S):100KOHM,5%,1/2W,AA,TP,2.4X6.4		.....5	R826	2001-001072	R-CARBON(S):120HM,5%,1/2W,AA,TP,2.4X6.4M	
.....5	R508	2001-000515	R-CARBON:2200HM,5%,1/8W,AA,TP,1.8X3.2MM		.....5	R827	2008-000284	R-FUSIBLE(S):0.10HM,10%,2W,AF,TP,3.9X10M	
.....5	R509	2002-001017	R-COMPOSITION:1Kohm,10%,1/2W,AA,TP,3.7x9		.....5	R828	2008-000266	R-FUSIBLE(S):1ohm,5%,2W,AF,TP,3.9x10mm	
.....5	R510	2001-000085	R-CARBON(S):100KOHM,5%,1/2W,AA,TP,2.4X6.4		.....5	R829	2003-001036	R-METAL OXIDE(S):3.3ohm,5%,2W,AF,TP,3.9x	
.....5	R511	2001-000515	R-CARBON:2200HM,5%,1/8W,AA,TP,1.8X3.2MM		.....5	R831	2001-000780	R-CARBON:4700HM,5%,1/8W,AA,TP,1.8X3.2MM	
.....5	R512	2002-001017	R-COMPOSITION:1Kohm,10%,1/2W,AA,TP,3.7x9		.....5	R832	2001-001153	R-CARBON(S):470HM,5%,1/2W,AA,TP,2.4X6.4M	
.....5	R513	2001-000085	R-CARBON(S):100KOHM,5%,1/2W,AA,TP,2.4X6.4		.....5	R833	2001-000472	R-CARBON:2.7KOHM,5%,1/8W,AA,TP,1.8X3.2M	
.....5	R514	2001-000515	R-CARBON:2200HM,5%,1/8W,AA,TP,1.8X3.2MM		.....5	R835	2003-002211	R-METAL OXIDE(S):91Kohm,5%,2W,AG,TP,3.9x	
.....5	R515	2002-001017	R-COMPOSITION:1Kohm,10%,1/2W,AA,TP,3.7x9		.....5	R836	2003-002211	R-METAL OXIDE(S):91Kohm,5%,2W,AG,TP,3.9x	
.....5	R517	2001-001077	R-CARBON(S):1500HM,5%,1/2W,AA,TP,2.4X6.4		.....5	R901	2001-000734	R-CARBON:4.7KOHM,5%,1/8W,AA,TP,1.8X3.2M	
.....5	R518	2001-001185	R-CARBON(S):7500HM,5%,1/2W,AA,TP,2.4X6.4		.....5	R902	2001-000281	R-CARBON:1000HM,5%,1/8W,AA,TP,1.8X3.2MM	
.....5	R519	2001-000864	R-CARBON:56KOHM,5%,1/8W,AA,TP,1.8X3.2MM		.....5	R903	2001-000734	R-CARBON:4.7KOHM,5%,1/8W,AA,TP,1.8X3.2M	
.....5	R520	2001-000449	R-CARBON:2.2KOHM,5%,1/8W,AA,TP,1.8X3.2M		.....5	R904	2001-000734	R-CARBON:4.7KOHM,5%,1/8W,AA,TP,1.8X3.2M	
.....5	R521	2001-000832	R-CARBON:5100HM,5%,1/8W,AA,TP,1.8X3.2MM		.....5	R905	2001-000734	R-CARBON:4.7KOHM,5%,1/8W,AA,TP,1.8X3.2M	
.....5	R522	2008-001129	R-FUSIBLE(S):1.5ohm,5%,1/2W,AF,TP,2.5x6.4		.....5	R906	2001-000734	R-CARBON:4.7KOHM,5%,1/8W,AA,TP,1.8X3.2M	
.....5	R523	2008-001129	R-FUSIBLE(S):1.5ohm,5%,1/2W,AF,TP,2.5x6.4		.....5	R907	2001-000281	R-CARBON:1000HM,5%,1/8W,AA,TP,1.8X3.2MM	
.....5	R524	2008-000299	R-FUSIBLE(S):47ohm,5%,2W,AF,TP,3.9x10mm		.....5	R908	2001-000734	R-CARBON:4.7KOHM,5%,1/8W,AA,TP,1.8X3.2M	
.....5	R525	2001-001062	R-CARBON(S):10M0HM,5%,1/2W,AA,TP,2.4X6.4		.....5	R909	2001-000281	R-CARBON:1000HM,5%,1/8W,AA,TP,1.8X3.2MM	
.....5	R526	2002-001009	R-COMPOSITION:2.7Kohm,10%,1/2W,AA,TP,3.7		.....5	R910	2001-000429	R-CARBON:1KOHM,5%,1/8W,AA,TP,1.8X3.2MM	
.....5	R529	0403-001316	DIODE-ZENER:MTZJ3.0A,2.85-3.07V,500mW,DO		.....5	R911	2001-000429	R-CARBON:1KOHM,5%,1/8W,AA,TP,1.8X3.2MM	
.....5	R601	2001-000290	R-CARBON:10KOHM,5%,1/8W,AA,TP,1.8X3.2MM		.....5	R912	2001-000429	R-CARBON:1KOHM,5%,1/8W,AA,TP,1.8X3.2MM	
.....5	R602	2001-000290	R-CARBON:10KOHM,5%,1/8W,AA,TP,1.8X3.2MM		.....5	R913	2001-000947	R-CARBON:7.5KOHM,5%,1/8W,AA,TP,1.8X3.2M	
.....5	R603	2001-000429	R-CARBON:1KOHM,5%,1/8W,AA,TP,1.8X3.2MM		.....5	R914	2001-000221	R-CARBON:1.2KOHM,5%,1/8W,AA,TP,1.8X3.2M	
.....5	R604	2701-000114	INDUCTOR-AXIAL:10uH,10%,2.5x3.4mm		.....5	R915	2001-000577	R-CARBON:2KOHM,5%,1/8W,AA,TP,1.8X3.2MM	
.....5	R605	2001-000281	R-CARBON:1000HM,5%,1/8W,AA,TP,1.8X3.2MM		.....5	R916	2001-000007	R-CARBON:3KOHM,5%,1/8W,AA,TP,1.8X3.2MM	
.....5	R606	2001-000290	R-CARBON:10KOHM,5%,1/8W,AA,TP,1.8X3.2MM		.....5	R917	2001-000878	R-CARBON:6.2KOHM,5%,1/8W,AA,TP,1.8X3.2M	
.....5	R607	2001-000429	R-CARBON:1KOHM,5%,1/8W,AA,TP,1.8X3.2MM		.....5	R918	2001-000009	R-CARBON:20KOHM,5%,1/8W,AA,TP,1.8X3.2MM	
.....5	R608	2001-000429	R-CARBON:1KOHM,5%,1/8W,AA,TP,1.8X3.2MM		.....5	R919	2001-000780	R-CARBON:4700HM,5%,1/8W,AA,TP,1.8X3.2MM	
.....5	R609	2001-000281	R-CARBON:1000HM,5%,1/8W,AA,TP,1.8X3.2MM		.....5	R920	2001-000780	R-CARBON:4700HM,5%,1/8W,AA,TP,1.8X3.2MM	
.....5	R610	2001-000281	R-CARBON:1000HM,5%,1/8W,AA,TP,1.8X3.2MM		.....5	R921	2001-000734	R-CARBON:4.7KOHM,5%,1/8W,AA,TP,1.8X3.2M	
.....5	R611	2001-000281	R-CARBON:1000HM,5%,1/8W,AA,TP,1.8X3.2MM		.....5	R923	2001-000924	R-CARBON:6800HM,5%,1/8W,AA,TP,1.8X3.2MM	
.....5	R612	2001-000281	R-CARBON:1000HM,5%,1/8W,AA,TP,1.8X3.2MM		.....5	R924	2001-000429	R-CARBON:1KOHM,5%,1/8W,AA,TP,1.8X3.2MM	

Electrical Parts List

Level	Loc. No.	Code No.	Description ; Specification	Remark	Level	Loc. No.	Code No.	Description ; Specification	Remark
.....5	R925	2001-001035	R-CARBON:910HM,5%,1/8W,AA,TP,1.8X3.2MM		.....5	SW904	3404-000244	SWITCH-TACT:15V,20mA,90-170gf,7.5x7mm,SP	
.....5	R926	2001-000734	R-CARBON:4.7KOHM,5%,1/8W,AA,TP,1.8X3.2MM		.....5	SW905	3404-000244	SWITCH-TACT:15V,20mA,90-170gf,7.5x7mm,SP	
.....5	R927	2001-000837	R-CARBON:51KOHM,5%,1/8W,AA,TP,1.8X3.2MM		△.....5	VP801S	1405-000152	VARISTOR:560V,2500A,14x8.5mm,TP	
.....5	R929	2001-000429	R-CARBON:1KOHM,5%,1/8W,AA,TP,1.8X3.2MM		△.....5	VX801S	1405-000152	VARISTOR:560V,2500A,14x8.5mm,TP	
.....5	R930	2001-000429	R-CARBON:1KOHM,5%,1/8W,AA,TP,1.8X3.2MM		.....5	X201	2801-003432	CRYSTAL-UNIT:20.25MHZ,30PPM,28-AAM,13PF,	
.....5	R931	2001-000780	R-CARBON:4700HM,5%,1/8W,AA,TP,1.8X3.2MM		.....5	X601	2801-003903	CRYSTAL-UNIT:18.432MHz,25ppm,28-AAM,12pf	
.....5	R932	2001-000515	R-CARBON:2200HM,5%,1/8W,AA,TP,1.8X3.2MM		.....5	X901	2801-003728	CRYSTAL-UNIT:6MHz,30ppm,28-AAM,20pf,40oh	
.....5	R933	2001-000780	R-CARBON:4700HM,5%,1/8W,AA,TP,1.8X3.2MM		.....5	AA41-00132D	AA41-00132D	PCB-MAIN:CB-21A8,FR-1,1L,D,1.6T,330x245	S.N.A
.....5	R934	2001-000003	R-CARBON:330ohm,5%,1/8W,AA,TP,1.8x3.2mm		...3	0202-000187	0202-000187	SOLDER-WIRE FLUX:-,RS60S,D1.2,63Sn/37Pb	S.N.A
.....5	R935	2001-000290	R-CARBON:10KOHM,5%,1/8W,AA,TP,1.8X3.2MM		...3	AA39-20010B	AA39-20010B	LEAD CONNECTOR-ASSY:-,YFH800-01,S,1P500	
.....5	R937	2001-000734	R-CARBON:4.7KOHM,5%,1/8W,AA,TP,1.8X3.2M		...3	AA64-01230B	AA64-01230B	INLAY-COVER:D2,D3,PVC-SHEET,T0,4,94V0,-,	S.N.A
.....5	R939	2001-001153	R-CARBON(S):470HM,5%,1/2W,AA,TP,2.4X6.4M						
.....5	R940	2001-000281	R-CARBON:1000HM,5%,1/8W,AA,TP,1.8X3.2MM						
.....5	R941	2001-000281	R-CARBON:1000HM,5%,1/8W,AA,TP,1.8X3.2MM						
.....5	R942	2001-000281	R-CARBON:1000HM,5%,1/8W,AA,TP,1.8X3.2MM						
.....5	R943	2001-000429	R-CARBON:1KOHM,5%,1/8W,AA,TP,1.8X3.2MM						
.....5	R945	2001-000281	R-CARBON:1000HM,5%,1/8W,AA,TP,1.8X3.2MM						
.....5	R946	2001-000515	R-CARBON:2200HM,5%,1/8W,AA,TP,1.8X3.2MM						
.....5	R947	2001-000734	R-CARBON:4.7KOHM,5%,1/8W,AA,TP,1.8X3.2M						
.....5	R948	2001-000734	R-CARBON:4.7KOHM,5%,1/8W,AA,TP,1.8X3.2M						
.....5	R952	2001-000734	R-CARBON:4.7KOHM,5%,1/8W,AA,TP,1.8X3.2M						
.....5	R953	2001-000734	R-CARBON:4.7KOHM,5%,1/8W,AA,TP,1.8X3.2M						
△.....5	RP801S	2002-001010	R-COMPOSITION:1.8Mohm,5%,1/2W,AA,TP,3.7x						
△.....5	RR01S	2008-000264	R-FUSIBLE(S):1ohm,5%,1W,AF,TP,3.9x10mm						
△.....5	RR02S	2001-000766	R-CARBON:43KOHM,5%,1/8W,AA,TP,1.8X3.2MM						
△.....5	RR03S	2004-001386	R-METAL(S):16.9Kohm,1%,1/2W,AA,TP,2.4x6.						
△.....5	RR04S	2001-000908	R-CARBON:62KOHM,5%,1/8W,AA,TP,1.8X3.2MM						
△.....5	RR05S	2001-000947	R-CARBON:7.5KOHM,5%,1/8W,AA,TP,1.8X3.2M						
△.....5	RR06S	2001-000977	R-CARBON:8.2KOHM,5%,1/8W,AA,TP,1.8X3.2M						
△.....5	RR07S	2001-000290	R-CARBON:10KOHM,5%,1/8W,AA,TP,1.8X3.2MM						
△.....5	RR08S	2001-000429	R-CARBON:1KOHM,5%,1/8W,AA,TP,1.8X3.2MM						
△.....5	RR09S	2001-000780	R-CARBON:4700HM,5%,1/8W,AA,TP,1.8X3.2MM						
△.....5	RR10S	2001-000290	R-CARBON:10KOHM,5%,1/8W,AA,TP,1.8X3.2MM						
△.....5	RR430S	2001-001088	R-CARBON(S):1KOHM,5%,1/2W,AA,TP,2.4X6.4M						
△.....5	RY802S	2002-001013	R-COMPOSITION:4.7Mohm,5%,1/2W,AA,TP,3.7x						
.....5	SW901	3404-000244	SWITCH-TACT:15V,20mA,90-170gf,7.5x7mm,SP						
.....5	SW902	3404-000244	SWITCH-TACT:15V,20mA,90-170gf,7.5x7mm,SP						
.....5	SW903	3404-000244	SWITCH-TACT:15V,20mA,90-170gf,7.5x7mm,SP						

### 7-3 TXK2567X/XAA (TXK2567X/XAA and TXK2566X/XAA Dissimilar Parts)

Level	Loc. No.	Code No.	Description ; Specification	Remark	Level	Loc. No.	Code No.	Description ; Specification	Remark
<b>ASSY-PCB,MAIN(OPT)</b>					<b>ASSY-VIDEO S/W</b>				
			* AA94-02636A ASSY-PCB,MAIN(OPT);KS2A,25,TXK2567					* AA97-00726A ASSY-VIDEO S/W;-;CS7202GT7C/EGC,KS2A,-,-	
			AA94-02636A-AASSY-PCB,MAIN(COM);KS2A,25,TXK2567					1001-001114 IC-VIDEO SWITCH;TEA6425,VIDEO SWITCH ,DI	
			3722-001458 JACK-DIN;5P,-,NI,BLK,-					2401-002009 C-AL;100UF,20%,16V,GP,TP6.3X	
			2701-000142 INDUCTOR-AXIAL;1UH,10%,2.5X3.					AA41-00153D PCB-VIDEO SWITCH;CS29A6,FR-1,1L,D,1.6T,2	
								AA97-00726A-AASSY-VIDEO S/W;-;CS7202GT7C/EGC,KS2A,-,-	
<b>ASSY CABINET(COM)</b>									
			* AA92-00428A ASSY CABINET(COM);TXK2567,SEA,KS2A						
			AA64-00892E INLAY BACK;D2,D3,RCA9P+S-VHS,PS SHEET,TO						

### 7-4 TXK2567X/XAC (TXK2567X/XAC and TXK2566X/XAA Dissimilar Parts)

Level	Loc. No.	Code No.	Description ; Specification	Remark	Level	Loc. No.	Code No.	Description ; Specification	Remark
<b>ASSY-PCB,MAIN(OPT)</b>									
			* AA94-02636A ASSY-PCB,MAIN(OPT);KS2A,25,TXK2567						
			AA94-02636A-AASSY-PCB,MAIN(COM);KS2A,25,TXK2567						
			2701-000142 INDUCTOR-AXIAL;1UH,10%,2.5X3.						
			3722-001458 JACK-DIN;5P,-,NI,BLK,-						
<b>ASSY ACCESSORY</b>									
			* AA97-00708A ASSY ACCESSORY;-;CT25B3,25,KS2A,SECA						
			AA68-01185A MANUAL USERS;-,-,FRE,B5,W/P100(G);-,-,-,-						
			AA92-30241B1 ASSY-CABINET,FRONT;CT25B7,VO,KS2A.CCX						
<b>ASSY CABINET(COM)</b>									
			* AA92-00427A ASSY CABINET(COM);TXK2567,KS2A,SECA						
			AA64-00892E INLAY BACK;D2,D3,RCA9P+S-VHS,PS SHEET,TO						
<b>ASSY-VIDEO S/W</b>									
			* AA97-00726A ASSY-VIDEO S/W;-;CS7202GT7C/EGC,KS2A,-,-						
			1001-001114 IC-VIDEO SWITCH;TEA6425,VIDEO SWITCH ,DI						
			2401-002009 C-AL;100UF,20%,16V,GP,TP6.3X						
			3711-002704 PIN-HEADER;YFAW-025-106(6PIN2.5MM)15.0X						
			3711-002706 PIN-HEADER;YFAW025-108(8PIN2.5MM/M)20.0						
			AA41-00153D PCB-VIDEO SWITCH;CS29A6,FR-1,1L,D,1.6T,2						
			AA97-00726A-AASSY-VIDEO S/W;-;CS7202GT7C/EGC,KS2A,-,-						



## 7-5 TXK2566X/XAA, TXK2566X/XAC

Level	Loc. No.	Code No.	Description ; Specification	Remark	Level	Loc. No.	Code No.	Description ; Specification	Remark
<b>ASSY-PCB,MAIN(OPT)</b>									
1	A/MAIN	AA94-02635A	ASSY-PCB,MAIN(OPT),KS2A,25,TXK2566						
...	02VER	AA41-00132C	PCB,CT21A8,FR-1,1L,C,1.6T,330x245,						
...	A/MAIN (AIM)	AA94-02635A	AASSY-PCB,MAIN(COM),KS2A,25,TXK2566						
...	C/WIRE1	AA65-30105B	CLAMP-WIRE,NYLON 66,V2,NTR,25MM,ALL MODE						
...	C102	2401-002463	C-ELECTROLYTIC,CE04W(T)APG16V470M-M(SG)-VE		...	C514	2401-000430	C-ELECTROLYTIC,CE04W(T)APG250V10	
...	C103	2301-000383	C-FILM,PEF:10nF,5%,50V,TP,6x7x3.2mm,5mm		...	C515	2401-001232	C-AL:4.7uF,20%,250V,GP,10X12.5	
...	C104	2401-001363	C-AL:470uF,20%,16V,GP,TP,10X12		...	C516	2201-002063	C-CERAMIC,DISC:10nF,+80-20%,3KV,Y5V,TP1	
...	C105	2301-000383	C-FILM,PEF:10nF,5%,50V,TP,6x7x3.2mm,5mm			C605	2305-000665	C-FILM:104J, 60V,5MM TAPING	
...	C106	2401-000603	C-AL:1uF,20%,50V,GP,5X11MM,5MM			C607	2202-000796	C-CERAMIC,MLC-AXIAL:1Nf,10%,50	
...	C115	2202-000121	C-CERAMIC,MLC-AXIAL:100PF,10%,		...	C608	2202-000796	C-CERAMIC,MLC-AXIAL:1Nf,10%,50	
...	C116	2202-000121	C-CERAMIC,MLC-AXIAL:100PF,10%,		...	C609	2401-001840	C-AL:100uF,20%,16V,GP,TP,6.3X1	
...	C201	2401-001914	C-AL:1uF,20%,50V,BPT,5x11.5		...	C610	2301-000314	C-FILM,PEF:8.2Nf,5%,50V,6.5X3.	
...	C202	2401-001840	C-AL:100uF,20%,16V,GP,TP,6.3X1		...	C611	2301-000314	C-FILM,PEF:8.2Nf,5%,50V,6.5X3.	
...	C211	2202-000796	C-CERAMIC,MLC-AXIAL:1Nf,10%,50		...	C612	2401-001914	C-AL:1uF,20%,50V,BPT,5x11.5	
...	C212	2301-000224	C-FILM,PEF:22Nf,5%,50V,7.4X3.9			C613	2401-001914	C-AL:1uF,20%,50V,BPT,5x11.5	
...	C213	2301-000247	C-FILM,PEF:33Nf,5%,50V,8.1X4.5			C617	2401-000493	C-AL:10uF,20%,50V,VT,5X11MM,5M	
...	C214	2305-000665	C-FILM:104J, 60V,5MM TAPING		...	C620	2305-000665	C-FILM:104J, 60V,5MM TAPING	
...	C215	2401-002235	C-ELECTROLYTIC,CE04W(T)16V10M		...	C621	2401-001998	C-AL:1000uF,20%,25V,GP,TP,10X20	
...	C216	2305-000665	C-FILM:104J, 60V,5MM TAPING		...	C622	2401-001989	C-AL:4.7uF,20%,50V,BPT,5x11.5	
...	C217	2401-001026	C-AL:3.3uF,20%,50V,GP,5X11MM,5			C625	2401-001989	C-AL:4.7uF,20%,50V,BPT,5x11.5	
...	C218	2202-002037	C-CERAMIC,MLC-AXIAL:100NF,+80-20			C626	2401-001989	C-AL:4.7uF,20%,50V,BPT,5x11.5	
...	C219	2202-002037	C-CERAMIC,MLC-AXIAL:100NF,+80-20			C628	2401-001989	C-AL:4.7uF,20%,50V,BPT,5x11.5	
...	C220	2202-002037	C-CERAMIC,MLC-AXIAL:100NF,+80-20			C630	2401-002235	C-ELECTROLYTIC,CE04W(T)16V10M	
...	C221	2202-002037	C-CERAMIC,MLC-AXIAL:100NF,+80-20		...	C631	2401-002235	C-ELECTROLYTIC,CE04W(T)16V10M	
...	C222	2202-002037	C-CERAMIC,MLC-AXIAL:100NF,+80-20		...	C632	2202-000806	C-CERAMIC,MLC-AXIAL:220pF,10%,50V,Y5P,TP	
...	C223	2202-002037	C-CERAMIC,MLC-AXIAL:100NF,+80-20			C634	2401-001840	C-AL:100uF,20%,16V,GP,TP,6.3X1	
...	C224	2201-002031	C-CERAMIC,DISC:5pF,0.25pF,50V,NPO,TP,5x3			C635	2305-000665	C-FILM:104J, 60V,5MM TAPING	
...	C225	2201-002031	C-CERAMIC,DISC:5pF,0.25pF,50V,NPO,TP,5x3		...	C636	2401-001026	C-AL:3.3uF,20%,50V,GP,5X11MM,5	
...	C228	2301-000356	C-FILM,PEF:47nF,5%,50V,TP,7.5x4.0x6.5,5m		...	C637	2401-000027	C-AL:4.7uF,20%,50V,GP,5*11MM,5MEA	
...	C229	2401-002235	C-ELECTROLYTIC,CE04W(T)16V10M		...	C638	2202-000231	C-CERAMIC,MLC-AXIAL:330PF,10%,50V,Y5P,3.	
...	C231	2401-002235	C-ELECTROLYTIC,CE04W(T)16V10M			C639	2202-000231	C-CERAMIC,MLC-AXIAL:330PF,10%,50V,Y5P,3.	
...	C232	2202-002037	C-CERAMIC,MLC-AXIAL:100NF,+80-20			C640	2401-000027	C-AL:4.7uF,20%,50V,GP,5*11MM,5MEA	
...	C233	2305-000412	C-FILM,MPEF:470NF,5%,63V,-,5MM			C641	2401-000027	C-AL:4.7uF,20%,50V,GP,5*11MM,5MEA	
...	C234	2305-000412	C-FILM,MPEF:470NF,5%,63V,-,5MM			C643	2401-000027	C-AL:4.7uF,20%,50V,GP,5*11MM,5MEA	
...	C235	2305-000412	C-FILM,MPEF:470NF,5%,63V,-,5MM			C645	2401-002235	C-ELECTROLYTIC,CE04W(T)16V10M	
...	C236	2305-000412	C-FILM,MPEF:470NF,5%,63V,-,5MM		...	C646	2305-000665	C-FILM:104J, 60V,5MM TAPING	
...	C237	2401-000914	C-AL:22uF,20%,16V,GP,5X11.5,TP		...	C647	2202-000286	C-CERAMIC,MLC-AXIAL:56PF,5%,50	
...	C239	2401-000603	C-AL:1uF,20%,50V,GP,5X11MM,5MM			C648	2401-001989	C-AL:4.7uF,20%,50V,BPT,5x11.5	
...	C242	2301-000310	C-FILM,PEF:68NF,5%,50V,8.0X8.5		...	C650	2201-000558	C-CERAMIC,DISC:470PF,10%,50V,Y	
...	C243	2202-000121	C-CERAMIC,MLC-AXIAL:100PF,10%,			C652	2401-001840	C-AL:100uF,20%,16V,GP,TP,6.3X1	
...	C244	2202-000121	C-CERAMIC,MLC-AXIAL:100PF,10%,		...	C654	2202-000286	C-CERAMIC,MLC-AXIAL:56PF,5%,50	
...	C245	2202-000121	C-CERAMIC,MLC-AXIAL:100PF,10%,		...	C656	2201-000304	C-CERAMIC,DISC:0.001nF,0.25pF,50V,NPO,TP	
...	C247	2001-000362	R-CARBON:150OHM,5%,1/8W,AA,TP			C657	2201-000304	C-CERAMIC,DISC:0.001nF,0.25pF,50V,NPO,TP	
...	C301	2401-000603	C-AL:1uF,20%,50V,GP,5X11MM,5MM			C660	2401-001840	C-AL:100uF,20%,16V,GP,TP,6.3X1	
...	C302	2401-000326	C-AL:100uF,20%,35V,GP,8X11MM,5		...	C803	2301-000356	C-FILM,PEF:47nF,5%,50V,TP,7.5x4.0x6.5,5m	
...	C303	2201-002031	C-CERAMIC,DISC:5pF,0.25pF,50V,NPO,TP,5x3		...	C804	2201-000332	C-CERAMIC,AC:CK45PTAPGE250V222	
...	C304	2305-000285	C-FILM,MPEF:220NF,5%,100V,-,5M			C805	2201-000332	C-CERAMIC,AC:CK45PTAPGE250V222	
...	C305	2305-000178	C-FILM,MPEF:10NF,5%,100V,-,5MM		...	C806	2401-001387	C-AL:470uF,20%,250V,GP,BK,25.4x40,1	
...	C306	2301-000342	C-FILM,PEF:2.2nF,5%,50V,TP,7.4x3.9x13mm,		...	C807	2301-001342	C-FILM,PPF:1.5nF,5%,800V,TP,15x6.5x11.5mm	
...	C307	2401-000360	C-AL:100uF,20%,50V,GP,8X11MM,5		...	C808	2401-002300	C-ELECTROLYTIC,CE04W(T)APG50V47U	
...	C308	2305-000665	C-FILM:104J, 60V,5MM TAPING			C809	2301-000356	C-FILM,PEF:47nF,5%,50V,TP,7.5x4.0x6.5,5m	
...	C401	2201-000556	C-CERAMIC,DISC:470PF,10%,500V,			C811	2301-000310	C-FILM,PEF:68NF,5%,50V,8.0X8.5	
...	C402	2401-001397	C-AL:470uF,20%,25V,GP,10X16MM,		...	C814	2201-000991	C-CERAMIC,HIC:CK45(T)B2KV561-K	
...	C403	2201-000556	C-CERAMIC,DISC:470PF,10%,500V,		...	C815	2401-003026	C-AL:330uF,20%,200V,GP,ST,22X3	
...	C404	2401-001397	C-AL:470uF,20%,25V,GP,10X16MM,		...	C816	2401-000293	C-ELECTROLYTIC,CE04W(T)APG200V10	
...	C407	2301-001338	C-FILM,MPE,PPFQ,68nF,5%,1.6kV,TP,28x7x1		...	C817	2201-000599	C-CERAMIC,DISC:560PF,10%,500V,	
...	C408	2305-000382	C-FILM,MPEF:4.7NF,5%,400V,TP,-,5MM.		...	C818	2401-000722	C-AL:220uF,20%,25V,VT,TP,16x25,7.5	
...	C412	2305-000178	C-FILM,MPEF:10NF,5%,100V,-,5MM			C819	2201-000599	C-CERAMIC,DISC:560PF,10%,500V,	
...	C414	2401-002597	C-AL:220uF,20%,35V,GP,TP,10x12.5,5		...	C820	2401-001054	C-AL:330uF,20%,25V,GP,18X26MM,7.5M	
...	C420	2301-001065	C-FILM,MPPF:47NF,5%,630V,TP,19		...	C821	2201-000192	C-FILM,PEF:1Nf,5%,50V,5.3X10MM	
...	C421	2201-000556	C-CERAMIC,DISC:470PF,10%,500V,			C822	2201-000599	C-CERAMIC,DISC:560PF,10%,500V,	
...	C422	2401-001527	C-AL:47uF,20%,250V,HR,13X25MM,		...	C823	2305-000665	C-FILM:104J, 60V,5MM TAPING	
...	C424	2201-000132	C-CERAMIC,DISC:100PF,10%,500V,Y5P,6X3MM,		...	C825	2306-000122	C-FILM,MPPF:100NF,5%,50V,7.3X4	
...	C427	2401-002267	C-AL:2.2uF,20%,250V,GP,8X12MM,			C826	2401-001363	C-AL:470uF,20%,16V,GP,TP,10X12	
...	C504	2305-000704	C-M,POLYESTER,CFS922MTAPG250V1			C827	2401-002235	C-ELECTROLYTIC,CE04W(T)16V10M	
...	C505	2201-000599	C-CERAMIC,DISC:560PF,10%,500V,			C829	2305-000665	C-FILM:104J, 60V,5MM TAPING	
						C831	2305-000665	C-FILM:104J, 60V,5MM TAPING	

Level	Loc. No.	Code No.	Description ; Specification	Remark	Level	Loc. No.	Code No.	Description ; Specification	Remark	
		C832	2401-001840	C-AL:100UF,20%,16V,GPTP6.3X1		D901	0404-000156	DIODE-SCHOTTKY:RB441Q,10V,100MA,DO-34,TP		
...	...	C835	2401-002286	C-ELEC,CE04D16V7471-MFR10X12.5		D902	0404-000156	DIODE-SCHOTTKY:RB441Q,10V,100MA,DO-34,TP		
		C837	2305-000665	C-FILM:104J, 60V,5MM TAPING		D903	0404-000156	DIODE-SCHOTTKY:RB441Q,10V,100MA,DO-34,TP		
		C838	2401-001840	C-AL:100UF,20%,16V,GPTP6.3X1		D904	0404-000156	DIODE-SCHOTTKY:RB441Q,10V,100MA,DO-34,TP		
		C839	2305-000665	C-FILM:104J, 60V,5MM TAPING		D905	0404-000156	DIODE-SCHOTTKY:RB441Q,10V,100MA,DO-34,TP		
		C840	2401-002235	C-ELECTROLYTIC,CE04W(T)16V10M		D906	0401-000005	DIODE:1N4148,100V,300mA,1V,8nS,TAPING		
...	...	C841	2401-000611	C-AL:1UF,20%,50V,WT,5X11MM,5MM		D907	0402-000132	DIODE-RECTIFIER:1N4004,400V,1A,DO-41		
...	...	C843	2201-000374	C-CERAMIC,DISC:220pF,5%,50V,CH,TP,12.5X3		...	D908	0401-000005	DIODE:1N4148,100V,300mA,1V,8nS,TAPING	
		C901	2202-002037	C-CERAMIC,MLC-AXIAL:100NF,+80-20		...	DDR01	0402-000233	DIODE-RECTIFIER:FML-G12S,200V,	H/SINK
...	...	C902	2401-000553	C-AL:1UF,10%,50V,GP5X11MM,5MM		...	DDR01	0402-001230	DIODE-RECTIFIER:FMG-G2CS,1000V,3A,TO-22	H/SINK
...	...	C904	2401-000302	C-AL:100UF,20%,25V,GP6X11MM,5		...	DDR01	1203-001006	IC-VOLTAGEREGULATOR78R05,TO-220F,4P	H/SINK
		C905	2202-000796	C-CERAMIC,MLC-AXIAL:1NF,10%,50		...	DH01	0502-000209	TR-POWER:2SD1880,NPN,1500V,800	H/SINK
		C907	2305-000665	C-FILM:104J, 60V,5MM TAPING		△	DR01S	0402-000534	DIODE-RECTIFIER:RG10V,400V,1.5	
...	...	C908	2202-000863	C-CERAMIC,CKOAX7R50V1561-KUP050561		...	DZ201	0403-000508	DIODE-ZENER:MTZJ5.6B,5.6V,5.45-5.73V,500	
...	...	C910	2201-000980	C-CERAMIC,DISC:30PF,5%,50V,NPO,5.0X3.0,5		...	DZ202	0403-000508	DIODE-ZENER:MTZJ5.6B,5.6V,5.45-5.73V,500	
		C911	2201-000980	C-CERAMIC,DISC:30PF,5%,50V,NPO,5.0X3.0,5		...	DZ203	0403-000508	DIODE-ZENER:MTZJ5.6B,5.6V,5.45-5.73V,500	
...	...	C913	2401-000287	C-AL:100UF,20%,16V,WT,6X11MM,5		...	DZ204	0403-000508	DIODE-ZENER:MTZJ5.6B,5.6V,5.45-5.73V,500	
		C914	2305-000665	C-FILM:104J, 60V,5MM TAPING		...	DZ302	0403-001329	DIODE-ZENER:MTZJ24B,22.61-23.77V,500mW,	
		C915	2401-000287	C-AL:100UF,20%,16V,WT,6X11MM,5		...	DZ303	0403-001329	DIODE-ZENER:MTZJ24B,22.61-23.77V,500mW,	
		C916	2305-000665	C-FILM:104J, 60V,5MM TAPING		...	DZ304	0403-001329	DIODE-ZENER:MTZJ24B,22.61-23.77V,500mW,	
		C917	2401-001840	C-AL:100UF,20%,16V,GPTP6.3X1		...	DZ305	0403-001221	DIODE-ZENER:UZ39BSB,35.36-37.19V,500mW,D	
		C918	2401-001840	C-AL:100UF,20%,16V,GPTP6.3X1		...	DZ306	0403-000700	DIODE-ZENER:TZP33A,33V,31-35V,	
		C919	2305-000665	C-FILM:104J, 60V,5MM TAPING		...	DZ402	0401-000005	DIODE:1N4148,100V,300mA,1V,8nS,TAPING	
...	...	C920	2401-000480	C-AL:10UF,20%,50V,GP5X11MM,5M		...	DZ501	0403-001211	DIODE-ZENER:MTZJ12B,11.44-12.03V,500mW,D	
		C921	2202-002037	C-CERAMIC,MLC-AXIAL:100NF,+80-20		...	DZ502	0403-001211	DIODE-ZENER:MTZJ12B,11.44-12.03V,500mW,D	
...	...	CG501	AA27-00084A	COIL:S-23,S-23,5000Mohm MIN,8.0*8.5mm,30		...	DZ601	0403-000508	DIODE-ZENER:MTZJ5.6B,5.6V,5.45-5.73V,500	
		CG502	AA27-00084A	COIL:S-23,S-23,5000Mohm MIN,8.0*8.5mm,30		...	DZ602	0403-000508	DIODE-ZENER:MTZJ5.6B,5.6V,5.45-5.73V,500	
		CG503	AA27-00084A	COIL:S-23,S-23,5000Mohm MIN,8.0*8.5mm,30		...	DZ603	0403-000720	DIODE-ZENER:MTZJ3.3B,3.3V,3.32-3.53V,500	
...	...	CN501B	AA39-00172A	LEAD-CONNECTOR,ASSY:DREAM,1007#26,UL/CSA		...	DZ801	0403-001322	DIODE-ZENER:MTZJ8.2B,7.78-8.19V,500mW,DO	
...	...	CN501B	AA39-20054B	LEAD-CONNECTOR,ASSY:YBNH025-06,S,6P500m		...	DZ802	0403-000508	DIODE-ZENER:MTZJ5.6B,5.6V,5.45-5.73V,500	
...	...	CN502B	AA39-20053A	LEAD-CONNECTOR,ASSY:YBNH025-05,S,5P,400m		...	DZ803	0403-001167	DIODE-ZENER:MTZJ300,30V,29.02-30.51V,500	
...	...	CN601	3711-002643	POST-HEADER:YV025-04(AUTO)		...	DZ804	0403-000700	DIODE-ZENER:TZP33A,33V,31-35V,	
...	...	CN602	3711-002644	POST-HEADER:67094-005(AUTO)		...	DZ805	1203-001217	IC-POSTADJUSTREG:431,TO-92,3P,4.58MIL,P	
...	...	CN701	3711-002647	POST-HEADER:67094-008(AUTO)		...	DZ806	0403-000714	DIODE-ZENER:MTZJ3.3B,3.3V,3.32-3.53V,500	
△		CR01S	2201-000556	C-CERAMIC,DISC:470PF,10%,500V,		...	DZ808	0403-000719	DIODE-ZENER:MTZJ7.5B,7.5V,7.07-7.45V,500	
△	...	CR02S	2401-002212	C-AL:10UF,20%,25V,WT,TP5X11,5		...	DZ901	0403-000508	DIODE-ZENER:MTZJ5.6B,5.6V,5.45-5.73V,500	
△		CR03S	2401-002235	C-ELECTROLYTIC,CE04W(T)16V10M		...	DZ902	0403-000508	DIODE-ZENER:MTZJ5.6B,5.6V,5.45-5.73V,500	
△		CR04S	2305-000412	C-FILM,MPEF:470NF,5%,63V,5MM		...	DZ903	0403-000508	DIODE-ZENER:MTZJ5.6B,5.6V,5.45-5.73V,500	
△	...	CR401S	2301-001219	C-FILM,MPE-PPF:3.9nF,5%,1.6KV,TP,29x8.5x		...	DZ904	0403-000508	DIODE-ZENER:MTZJ5.6B,5.6V,5.45-5.73V,500	
△	...	CR402S	2306-000255	C-FILM,CF922P1.6KV1742-HBUP		...	DZ905	0403-000508	DIODE-ZENER:MTZJ5.6B,5.6V,5.45-5.73V,500	
△	...	CR405S	2306-000204	C-FILM,MPPF:430NF,5%,400V,-20		...	DZ906	0403-000508	DIODE-ZENER:MTZJ5.6B,5.6V,5.45-5.73V,500	
△	...	CW901	2503-000156	C-NETWORK:100pF x4,208,50V		△	DZ907	0403-000508	DIODE-ZENER:MTZJ5.6B,5.6V,5.45-5.73V,500	
△	...	CX801S	2306-000318	C-FILM,MPPF:220NF,20%,250V,-2		△	DZR01S	0403-000298	DIODE-ZENER:MTZ6.8C,6.8V,6.66-	
△	...	CX802S	2306-000318	C-FILM,MPPF:220NF,20%,250V,-2		...	F+SH	AA63-00362A	FELT:W25X18.T2.0.FELT,BLK	
△	...	CY802S	2201-000446	C-CERAMIC,AC,CK45PE400V332-M/T		...	F801A	3602-000114	FUSE-HOLDER:-,30MOHM	
		D201	0401-000005	DIODE:1N4148,100V,300mA,1V,8nS,TAPING		...	F801B	3602-000114	FUSE-HOLDER:-,30MOHM	
		D202	0401-000005	DIODE:1N4148,100V,300mA,1V,8nS,TAPING		△	FD801S	3601-001086	FUSE-AXIAL LEAD:125V,5A,FAST-ACTING,GLAS	
		D203	0404-000156	DIODE-SCHOTTKY:RB441Q,10V,100MA,DO-34,TP		△	FD802S	3601-001228	FUSE-AXIAL LEAD:125V,10A,FAST-ACTING,EPO	
...	...	D204	0404-000156	DIODE-SCHOTTKY:RB441Q,10V,100MA,DO-34,TP		△	FD803S	3601-001086	FUSE-AXIAL LEAD:125V,5A,FAST-ACTING,GLAS	
		D205	0404-000156	DIODE-SCHOTTKY:RB441Q,10V,100MA,DO-34,TP		△	FP801S	3601-001012	FUSE-FERRULE:250V,4A,SLOW-BLOW	
		D206	0404-000156	DIODE-SCHOTTKY:RB441Q,10V,100MA,DO-34,TP		△	GT102	AA39-20010B	LEAD-CONNECTOR,ASSY:-YFH800-01,500MM,1P	
		D207	0401-000005	DIODE:1N4148,100V,300mA,1V,8nS,TAPING		△	IC201S	1204-001632	IC-VIDEOPROCESS,VDP3108B-C3,DIP,64P,PL	
		D208	0401-000005	DIODE:1N4148,100V,300mA,1V,8nS,TAPING		△	IC301	1204-000517	IC-LINEAR:LA7845SIPVERTICALAMP	H/SINK
		D209	0401-000005	DIODE:1N4148,100V,300mA,1V,8nS,TAPING		△	IC501	1201-000539	IC-VIDEOAMP:6101,ZIP9P,-SING	
		D210	0401-000005	DIODE:1N4148,100V,300mA,1V,8nS,TAPING		△	IC502	1201-000539	IC-VIDEOAMP:6101,ZIP9P,-SING	
		D212	0401-000005	DIODE:1N4148,100V,300mA,1V,8nS,TAPING		△	IC503	1201-000539	IC-VIDEOAMP:6101,ZIP9P,-SING	
		D301	0402-000546	DIODE-RECTIFIER:TVR10G,400V,1.		△	IC601	1204-001594	IC-SOUND PROCESSOR:MSP3440G-B6,SDIP,52P,	
		D401	0402-000540	DIODE-RECTIFIER:RU20A,600V,1.5		△	IC602	1201-001308	IC-POWERAMP:7266,ZIP,15P,-DUAL,26dB,PL	H/SINK
...	...	D402	0402-000540	DIODE-RECTIFIER:RU20A,600V,1.5		△	IC801S	1203-001482	IC-PWMCONTROLLER:3S1265R,TO-3P5P,210,P	H/SINK
		D403	0402-000132	DIODE-RECTIFIER:1N4004,400V,1A,DO-41		△	IC803	1203-001697	IC-VOLTAGEREGULATOR78R08,TO-220,4PP	
...	...	D406	0402-000132	DIODE-RECTIFIER:1N4004,400V,1A,DO-41		△	IC804	1203-000284	IC-POSIFIXEDREG:7806,TO-220,	H/SINK
...	...	D407	0402-000493	DIODE-RECTIFIER:1R5GU41,400V,1		△	IC901	AA09-00041A	IC-MCU:SDA555X-OTP,SDA555X-OTP,-,52	
		D408	0402-000546	DIODE-RECTIFIER:TVR10G,400V,1.		△	IC902	1103-001171	IC-EEPROM,24L161,16KBIT,DIP8P,300MIL,1.	
		D411	0402-000546	DIODE-RECTIFIER:TVR10G,400V,1.		△	IC903	1203-001944	IC-POSIFIXEDREG:78RM33,TO-220,3P,PLAST	
...	...	D413	0402-000537	DIODE-RECTIFIER:RH1A,600V,0.6A,		△	IC904	1203-001943	IC-VOL DETECTOR:7025,TO-92,3P,PLASTIC	
		D502	0402-000132	DIODE-RECTIFIER:1N4004,400V,1A,DO-41		...	INLA/PCB	AA64-01230B	INLAY COVER:D2,D3,PVC-SHEET,TO.4,94V0,-,	
		D602	0401-000005	DIODE:1N4148,100V,300mA,1V,8nS,TAPING		...	J126	2701-000114	INDUCTOR-AXIAL:10UH,10%,2.5X3.	
		D603	0401-000005	DIODE:1N4148,100V,300mA,1V,8nS,TAPING		...	J501	2001-000832	R-CARBON 510OHM,5%,1/8W,AA,TP,	
...	...	D801	0402-000213	DIODE-RECTIFIER:ERB12-06,600V,		...	J699	2701-000168	INDUCTORAXIAL:3.3uH,5%,2.5X3.4mm	
△	...	D801S	0402-001082	DIODEBRIDGE:RBV406LF,600V,4A		...	J709	3301-000287	CORE-FERRITEBEAD:AA,3.5X1.0X6.	
...	...	D803	0402-000546	DIODE-RECTIFIER:TVR10G,400V,1.		...	J909	2001-000429	R-CARBON:1Kohm,5%,1/8W,AA,TP,1.8x3.2mm	
		D804	0401-000005	DIODE:1N4148,100V,300mA,1V,8nS,TAPING		...	JA701	3722-001333	JACK-RCA9P:3.2mm,NI,BLK	
		D808	0402-000132	DIODE-RECTIFIER:1N4004,400V,1A,DO-41		...	L102	2701-000159	INDUCTORAXIAL:22uH,10%,4.2x9.8mm	
		D810	0402-000132	DIODE-RECTIFIER:1N4004,400V,1A,DO-41		...	L103	2701-000115	INDUCTOR-AXIAL:10UH,10%,2.5X3.	
		D811	0402-000132	DIODE-RECTIFIER:1N4004,400V,1A,DO-41		...	L201	2701-000114	INDUCTOR-AXIAL:10UH,10%,2.5X3.	
...	...	D813	0402-000233	DIODE-RECTIFIER:FML-G12S,200V,		...	L202	2701-000114	INDUCTOR-AXIAL:10UH,10%,2.5X3.	
		D816	0402-000546	DIODE-RECTIFIER:TVR10G,400V,1.		...	L203	3301-000287	CORE-FERRITEBEAD:AA,3.5X1.0X6.	

Electrical Parts List

Level	Loc. No.	Code No.	Description ; Specification	Remark	Level	Loc. No.	Code No.	Description ; Specification	Remark
...	L207	2701-000168	INDUCTORAXIAL:3.3uH,5%,2.5x3.4mm			R211	2001-000290	R-CARBON:10KOHM,5%,1/8WAA,TP,	
	L208	2701-000168	INDUCTORAXIAL:3.3uH,5%,2.5x3.4mm			R212	2001-000290	R-CARBON:10KOHM,5%,1/8WAA,TP,	
	L209	2701-000168	INDUCTORAXIAL:3.3uH,5%,2.5x3.4mm		...	R213	2001-000734	R-CARBON:4.7KOHM,5%,1/8WAA,TP	
	L301	2701-000114	INDUCTOR-AXIAL:10UH,10%,2.5X3.		...	R214	2001-000008	R-CARBON:15KOHM,5%,1/8WAA,TP;1.8X3.2MM	
...	L601	2701-000169	INDUCTORAXIAL:3.9uH,10%,2.5x3.4mm		...	R215	2001-000522	R-CARBON:22KOHM,5%,1/8WAA,TP,	
	L602	2701-000114	INDUCTOR-AXIAL:10UH,10%,2.5X3.			R216	2001-000429	R-CARBON:1Kohm,5%,1/8WAA,TP;1.8x3.2mm	
	L603	2701-000114	INDUCTOR-AXIAL:10UH,10%,2.5X3.			R222	2001-000429	R-CARBON:1Kohm,5%,1/8WAA,TP;1.8x3.2mm	
	L604	2701-000169	INDUCTORAXIAL:3.9uH,10%,2.5x3.4mm		...	R223	2001-000628	R-CARBON:300OHM,5%,1/8WAA,TP,	
	L609	2701-000169	INDUCTORAXIAL:3.9uH,10%,2.5x3.4mm			R224	2001-000628	R-CARBON:300OHM,5%,1/8WAA,TP,	
	L610	3301-000287	CORE-FERRITEBEAD;AA,3.5X1.0X6.			R225	2001-000628	R-CARBON:300OHM,5%,1/8WAA,TP,	
	L801	3301-000287	CORE-FERRITEBEAD;AA,3.5X1.0X6.			R226	2001-000628	R-CARBON:300OHM,5%,1/8WAA,TP,	
	L802	3301-000287	CORE-FERRITEBEAD;AA,3.5X1.0X6.		...	R228	2001-001170	R-CARBON(S):6.8OHM,5%,1/2WAB,	
	L803	3301-000287	CORE-FERRITEBEAD;AA,3.5X1.0X6.			R231	2001-000429	R-CARBON:1Kohm,5%,1/8WAA,TP;1.8x3.2mm	
...	L804	2901-000297	FILTER-EMI ON BOARD:-,3A,-,-,3.5x5,TP-			R232	2001-000429	R-CARBON:1Kohm,5%,1/8WAA,TP;1.8x3.2mm	
	L806	3301-000287	CORE-FERRITEBEAD;AA,3.5X1.0X6.			R233	2001-000429	R-CARBON:1Kohm,5%,1/8WAA,TP;1.8x3.2mm	
	L807	2901-000297	FILTER-EMI ON BOARD:-,3A,-,-,3.5x5,TP-			R234	2001-000429	R-CARBON:1Kohm,5%,1/8WAA,TP;1.8x3.2mm	
..	L808	AA27-10002L	COIL-CHOKE:-,24UH,K,-,2A,-,24U			R235	2001-000429	R-CARBON:1Kohm,5%,1/8WAA,TP;1.8x3.2mm	
	L809	3301-000287	CORE-FERRITEBEAD;AA,3.5X1.0X6.		...	R236	2001-000515	R-CARBON:220OHM,5%,1/8WAA,TP,	
...	L901	2901-000299	FILTER-EMIBEAD;BL02RN2-R65T2DB			R237	2001-000515	R-CARBON:220OHM,5%,1/8WAA,TP,	
	L903	2901-000299	FILTER-EMIBEAD;BL02RN2-R65T2DB			R238	2001-000515	R-CARBON:220OHM,5%,1/8WAA,TP,	
	L904	2901-000299	FILTER-EMIBEAD;BL02RN2-R65T2DB		...	R239	2001-001114	R-CARBON(S):270OHM,5%,1/2WAA,	
...	L905	2001-000995	R-CARBON 820OHM,5%,1/8WAA,TP,		...	R241	2001-000343	R-CARBON:130OHM,5%,1/8WAA,TP;1.8X3.2MM	
	L906	2701-000114	INDUCTOR-AXIAL:10UH,10%,2.5X3.		...	R245	2001-000005	R-CARBON:390OHM,5%,1/8WAA,TP,	
△	LD901	AA96-30006A	ASSY-LED,GUIDE:-,SL255D,RED/GRN			R246	2001-000281	R-CARBON:100OHM,5%,1/8WAA,TP,	
△	LR401S	AA27-00074A	COIL LINEARITY:-,44uH,DR14x15,11mm,18x33		...	R248	2001-000969	R-CARBON:750OHM,5%,1/8WAA,TP1	
△	LX801S	AA29-30002N	FILTER-LINE NOISE:-,16MH,1.5A,AC100-260V			R249	2001-000515	R-CARBON:220OHM,5%,1/8WAA,TP,	
△	LX802S	AA29-30002N	FILTER-LINE NOISE:-,16MH,1.5A,AC100-260V			R250	2001-000005	R-CARBON:390OHM,5%,1/8WAA,TP,	
△	NT802S	1404-001045	THERMISTOR NTC:4.7OHM,15%,2900K,35.0MW,T			R251	2001-000281	R-CARBON:100OHM,5%,1/8WAA,TP,	
△	P802S	1404-000208	POSISTOR:PTH631D02BF7ROM140TDE			R252	2001-000429	R-CARBON:1Kohm,5%,1/8WAA,TP;1.8x3.2mm	
△	PC801S	0604-001038	PHOTOCOUPLER,TR,130-260V,200MW			R253	2001-000969	R-CARBON:750OHM,5%,1/8WAA,TP1	
△	PVWR/AC	AA96-20129A	ASSY-POWER,CORD:-,EP2/YES,H/C300,ME301P,			R254	2001-000515	R-CARBON:220OHM,5%,1/8WAA,TP,	
	Q201	0501-000389	TRANSISTOR:KSC815-Y(TAPG)/YTAM			R255	2001-000005	R-CARBON:390OHM,5%,1/8WAA,TP,	
	Q202	0501-000389	TRANSISTOR:KSC815-Y(TAPG)/YTAM			R256	2001-000281	R-CARBON:100OHM,5%,1/8WAA,TP,	
	Q203	0501-000389	TRANSISTOR:KSC815-Y(TAPG)/YTAM			R258	2001-000969	R-CARBON:750OHM,5%,1/8WAA,TP1	
	Q204	0501-000389	TRANSISTOR:KSC815-Y(TAPG)/YTAM			R259	2001-000515	R-CARBON:220OHM,5%,1/8WAA,TP,	
...	Q206	0501-000283	TRANSISTOR:KSA539-Y(TAPG)/YTAM			R260	2001-000290	R-CARBON:10KOHM,5%,1/8WAA,TP,	
	Q207	0501-000389	TRANSISTOR:KSC815-Y(TAPG)/YTAM			R261	2001-000290	R-CARBON:10KOHM,5%,1/8WAA,TP,	
	Q208	0501-000283	TRANSISTOR:KSA539-Y(TAPG)/YTAM			R262	2001-000290	R-CARBON:10KOHM,5%,1/8WAA,TP,	
	Q209	0501-000389	TRANSISTOR:KSC815-Y(TAPG)/YTAM			R263	2001-000786	R-CARBON:47KOHM,5%,1/8WAA,TP,	
	Q210	0501-000283	TRANSISTOR:KSA539-Y(TAPG)/YTAM		...	R264	2001-000003	R-CARBON:330OHM,5%,1/8WAA,TP,	
	Q211	0501-000389	TRANSISTOR:KSC815-Y(TAPG)/YTAM			R265	2001-000003	R-CARBON:330OHM,5%,1/8WAA,TP,	
	Q212	0501-000389	TRANSISTOR:KSC815-Y(TAPG)/YTAM			R267	2001-000003	R-CARBON:330OHM,5%,1/8WAA,TP,	
	Q213	0501-000389	TRANSISTOR:KSC815-Y(TAPG)/YTAM		...	R301	2004-001397	R-METAL(S):4.7KOHM,1%,1/2WAA,	
	Q222	0501-000389	TRANSISTOR:KSC815-Y(TAPG)/YTAM		...	R302	2004-001984	R-METAL:26.7KOHM,1%,1/2WAA,TP	
..	Q402	0502-001007	TR-POWER:KSC2073-H2,NPN,150V,1		...	R303	2001-000016	R-CARBON(S):10HM,5%,1/2WAA,TP	
	Q501	0501-000283	TRANSISTOR:KSA539-Y(TAPG)/YTAM		...	R304	2008-000254	R-FUSIBLE(S):0.68OHM,5%,2WAF,	
	Q601	0501-000389	TRANSISTOR:KSC815-Y(TAPG)/YTAM		...	R305	2008-001107	R-FUSIBLE(S):300ohm,5%,2WAG,TP;3.9x12mm	
	Q602	0501-000389	TRANSISTOR:KSC815-Y(TAPG)/YTAM			R306	2008-001107	R-FUSIBLE(S):300ohm,5%,2WAG,TP;3.9x12mm	
...	Q802	0501-000369	TRANSISTOR:KSC2331-Y(TAPG)			R309	2001-000290	R-CARBON:10KOHM,5%,1/8WAA,TP,	
	Q901	0501-000389	TRANSISTOR:KSC815-Y(TAPG)/YTAM			R310	2001-000290	R-CARBON:10KOHM,5%,1/8WAA,TP,	
	Q902	0501-000389	TRANSISTOR:KSC815-Y(TAPG)/YTAM		...	R313	2001-000890	R-CARBON:6.8KOHM,5%,1/8WAA,TP	
	Q903	0501-000389	TRANSISTOR:KSC815-Y(TAPG)/YTAM		...	R314	2004-001986	R-METAL:35.7KOHM,1%,1/2WAA,TP	
	Q904	0501-000389	TRANSISTOR:KSC815-Y(TAPG)/YTAM		...	R315	2004-004970	R-METAL(S):62Kohm,1%,1/8WAA,TP;1.8x3.2mm	
	Q905	0501-000389	TRANSISTOR:KSC815-Y(TAPG)/YTAM		...	R401	2003-002186	R-METALOXIDE(S):22Kohm,5%,2WAG,TP;3x	
	Q906	0501-000389	TRANSISTOR:KSC815-Y(TAPG)/YTAM			R402	2003-002186	R-METALOXIDE(S):22Kohm,5%,2WAG,TP;3x	
	Q907	0501-000389	TRANSISTOR:KSC815-Y(TAPG)/YTAM		...	R403	2003-002037	R-METAL OXIDE(S):270OHM,5%,2WAF,TP;3.9X	
	Q908	0501-000389	TRANSISTOR:KSC815-Y(TAPG)/YTAM		...	R405	2008-001018	R-FUSIBLE(S):0.47OHM,10%,2WAF	
...	Q909	0505-000109	FET-SILICON:2N7000,N,60V,200mA,5ohm,400		...	R407	2001-000066	R-CARBON(S):10KOHM,5%,1/2WAA,	
	Q910	0505-000109	FET-SILICON:2N7000,N,60V,200mA,5ohm,400		...	R408	2008-000284	R-FUSIBLE(S):0.1OHM,10%,2WAF,TP;3.9X10M	
	Q911	0501-000389	TRANSISTOR:KSC815-Y(TAPG)/YTAM		...	R409	2001-001410	R-CARBON:RD1/2T(S)430-J43R	
△	QR01S	0501-000283	TRANSISTOR:KSA539-Y(TAPG)/YTAM		...	R410	2001-001114	R-CARBON(S):270OHM,5%,1/2WAA,	
△	QR02S	0501-000389	TRANSISTOR:KSC815-Y(TAPG)/YTAM		...	R412	2001-000020	R-CARBON(S):22OHM,5%,1/2WAA,T	
...	R102	2001-000281	R-CARBON:100OHM,5%,1/8WAA,TP,		...	R414	2001-001165	R-CARBON(S):56OHM,5%,1/2WAB,T	
	R103	2001-000281	R-CARBON:100OHM,5%,1/8WAA,TP,			R424	2008-001018	R-FUSIBLE(S):0.47OHM,10%,2WAF	
...	R105	2001-000786	R-CARBON:47KOHM,5%,1/8WAA,TP,			R425	2008-001018	R-FUSIBLE(S):0.47OHM,10%,2WAF	
...	R106	2001-000864	R-CARBON:56Kohm,5%,1/8WAA,TP;1.8x3.2mm		...	R426	2003-000540	R-METALOXIDE(S):1KOHM,5%,2WAD	
	R201	2001-000281	R-CARBON:100OHM,5%,1/8WAA,TP,			R429	2004-001397	R-METAL(S):4.7KOHM,1%,1/2WAA,	
	R202	2001-000290	R-CARBON:10KOHM,5%,1/8WAA,TP,			R432	2004-001397	R-METAL(S):4.7KOHM,1%,1/2WAA,	
	R203	2001-000281	R-CARBON:100OHM,5%,1/8WAA,TP,		...	R433	2008-001127	R-FUSIBLE(S):6.8Kohm,5%,1WAF,TP;3.9x10m	
	R204	2001-000281	R-CARBON:100OHM,5%,1/8WAA,TP,		...	R434	2003-000664	R-METAL OXIDE(S):330HM,5%,2WAF,TP;4X12M	
	R205	2001-000290	R-CARBON:10KOHM,5%,1/8WAA,TP,		...	R436	2003-002151	R-METALOXIDE:18KOHM,5%,2WAG,TP;6X16	
	R206	2001-000290	R-CARBON:10KOHM,5%,1/8WAA,TP,			R501	2001-000429	R-CARBON:1Kohm,5%,1/8WAA,TP;1.8x3.2mm	
...	R207	2001-000449	R-CARBON:2.2KOHM,5%,1/8WAA,TP			R502	2001-000429	R-CARBON:1Kohm,5%,1/8WAA,TP;1.8x3.2mm	
...	R208	2001-000405	R-CARBON:180OHM,5%,1/8WAA,TP		...	R503	2001-000429	R-CARBON:1Kohm,5%,1/8WAA,TP;1.8x3.2mm	
...	R209	2001-000221	R-CARBON:1.2KOHM,5%,1/8WAA,TP			R504	2001-000449	R-CARBON:2.2KOHM,5%,1/8WAA,TP	
...	R210	2001-000613	R-CARBON:3.9KOHM,5%,1/8WAA,TP			R505	2001-000449	R-CARBON:2.2KOHM,5%,1/8WAA,TP	

Level	Loc. No.	Code No.	Description ; Specification	Remark	Level	Loc. No.	Code No.	Description ; Specification	Remark	
		R506	2001-000449	R-CARBON:2.2KOHM,5%,1/8W,AA,TP		...	R818	2001-001113	R-CARBON(S):270KOHM,5%,1/2W,AA	
...	R507	2001-000085	R-CARBON(S):100KOHM,5%,1/2W,AA		...	R819	2004-001983	R-METAL:2.49KOHM,1%,1/2W,AA,TP,2.4X6.4		
	R508	2001-000515	R-CARBON:2200HM,5%,1/8W,AA,TP		...	R821	2004-001889	R-METAL(S):127KOHM,1%,1/2W,AA,TP,2.5X6.5		
...	R509	2002-001017	R-COMPOSITION:1K,10%,1/2W,AA,TP,3.7x9.0m		...	R822	2001-000273	R-CARBON:100KOHM,5%,1/8W,AA,TP		
	R510	2001-000085	R-CARBON(S):100KOHM,5%,1/2W,AA		...	R823	2001-000273	R-CARBON:100KOHM,5%,1/8W,AA,TP		
	R511	2001-000515	R-CARBON:2200HM,5%,1/8W,AA,TP		...	R824	2001-000660	R-CARBON:33KOHM,5%,1/8W,AA,TP		
	R513	2001-000085	R-CARBON(S):100KOHM,5%,1/2W,AA		...	R825	2001-000066	R-CARBON(S):10KOHM,5%,1/2W,AA		
	R514	2001-000515	R-CARBON:2200HM,5%,1/8W,AA,TP		...	R826	2001-001072	R-CARBON(S):12ohm,5%,1/2W,AA,TP,2.4x6.4m		
	R515	2002-001017	R-COMPOSITION:1K,10%,1/2W,AA,TP,3.7x9.0m		...	R827	2008-000284	R-FUSIBLE(S):0.10HM,10%,2W,AF,TP,3.9X10M		
...	R517	2001-001077	R-CARBON(S):1500HM,5%,1/2W,AA		...	R828	2008-000266	R-FUSIBLE(S):10HM,5%,2W,AF,TP		
...	R518	2001-001185	R-CARBON(S):7500HM,5%,1/2W,AA,TP,2.4X6.4		...	R829	2003-001036	R-METALOXIDE(S):3.30HM,5%,2W,AA		
	R519	2001-000864	R-CARBON:56Kohm,5%,1/8W,AA,TP,1.8x3.2mm			R831	2001-000780	R-CARBON:470ohm,5%,1/8W,AA,TP,1.8x3.2mm		
	R520	2001-000449	R-CARBON:2.2KOHM,5%,1/8W,AA,TP			R832	2001-001153	R-CARBON(S):470HM,5%,1/2W,AA,T		
	R521	2001-000832	R-CARBON:5100HM,5%,1/8W,AA,TP		...	R833	2001-000472	R-CARBON:2.7KOHM,5%,1/8W,AA,TP		
...	R522	2008-001129	R-FUSIBLE(S):1.50HM,5%1/2W,AF,TP,2.5		...	R835	2003-002211	R-METALOXIDE(S)91Kohm,5%,2W,AG,TP,3x		
	R523	2008-001129	R-FUSIBLE(S):1.50HM,5%1/2W,AF,TP,2.5			R836	2003-002211	R-METALOXIDE(S)91Kohm,5%,2W,AG,TP,3x		
...	R524	2008-000299	R-FUSIBLE:RF2RT470-J			R901	2001-000734	R-CARBON:4.7KOHM,5%,1/8W,AA,TP		
...	R525	2001-001062	R-CARBON(S):10M0HM,5%,1/2W,AA			R902	2001-000281	R-CARBON:1000HM,5%,1/8W,AA,TP		
...	R526	2002-001009	R-COMPOSITION:2.7KOHM,10%,1/2W,AA,TP,3.7			R903	2001-000734	R-CARBON:4.7KOHM,5%,1/8W,AA,TP		
R527M	2002-001017	R-COMPOSITION:1K,10%,1/2W,AA,TP,3.7x9.0m				R904	2001-000734	R-CARBON:4.7KOHM,5%,1/8W,AA,TP		
...	R529	0403-001316	DIODE-ZENER:MTJ3.0A,2.85-3.07V,500mW,DO			R905	2001-000734	R-CARBON:4.7KOHM,5%,1/8W,AA,TP		
	R601	2001-000290	R-CARBON:10KOHM,5%,1/8W,AA,TP			R906	2001-000734	R-CARBON:4.7KOHM,5%,1/8W,AA,TP		
	R602	2001-000290	R-CARBON:10KOHM,5%,1/8W,AA,TP			R907	2001-000281	R-CARBON:1000HM,5%,1/8W,AA,TP		
	R603	2001-000429	R-CARBON:1Kohm,5%,1/8W,AA,TP,1.8x3.2mm			R908	2001-000734	R-CARBON:4.7KOHM,5%,1/8W,AA,TP		
	R604	2701-000114	INDUCTOR-AXIAL:10UH,10%,2.5X3.			R909	2001-000281	R-CARBON:1000HM,5%,1/8W,AA,TP		
	R605	2701-000114	INDUCTOR-AXIAL:10UH,10%,2.5X3.			R910	2001-000429	R-CARBON:1kohm,5%,1/8W,AA,TP,1.8x3.2mm		
	R606	2001-000290	R-CARBON:10KOHM,5%,1/8W,AA,TP			R911	2001-000429	R-CARBON:1Kohm,5%,1/8W,AA,TP,1.8x3.2mm		
	R607	2001-000429	R-CARBON:1Kohm,5%,1/8W,AA,TP,1.8x3.2mm			R912	2001-000429	R-CARBON:1Kohm,5%,1/8W,AA,TP,1.8x3.2mm		
	R608	2001-000429	R-CARBON:1Kohm,5%,1/8W,AA,TP,1.8x3.2mm		...	R913	2001-000947	R-CARBON:7.5KOHM,5%,1/8W,AA,TP		
	R609	2001-000281	R-CARBON:1000HM,5%,1/8W,AA,TP			R914	2001-000221	R-CARBON:1.2KOHM,5%,1/8W,AA,TP		
	R610	2001-000281	R-CARBON:1000HM,5%,1/8W,AA,TP		...	R915	2001-000577	R-CARBON:2KOHM,5%,1/8W,AA,TP,1		
	R611	2001-000281	R-CARBON:1000HM,5%,1/8W,AA,TP		...	R916	2001-000007	R-CARBON:3KOHM,5%,1/8W,AA,TP,1		
	R612	2001-000281	R-CARBON:1000HM,5%,1/8W,AA,TP		...	R917	2001-000878	R-CARBON:6.2KOHM,5%,1/8W,AA,TP		
	R613	2001-000281	R-CARBON:1000HM,5%,1/8W,AA,TP		...	R918	2001-000009	R-CARBON:20KOHM,5%,1/8W,AA,TP		
...	R614	2001-000780	R-CARBON:470ohm,5%,1/8W,AA,TP,1.8x3.2mm			R919	2001-000780	R-CARBON:470ohm,5%,1/8W,AA,TP,1.8x3.2mm		
	R615	2001-000780	R-CARBON:470ohm,5%,1/8W,AA,TP,1.8x3.2mm			R920	2001-000780	R-CARBON:470ohm,5%,1/8W,AA,TP,1.8x3.2mm		
	R616	2001-000780	R-CARBON:470ohm,5%,1/8W,AA,TP,1.8x3.2mm			R921	2001-000734	R-CARBON:4.7KOHM,5%,1/8W,AA,TP		
	R617	2001-000780	R-CARBON:470ohm,5%,1/8W,AA,TP,1.8x3.2mm		...	R923	2001-000924	R-CARBON:680ohm,5%,1/8W,AA,TP,1.8x3.2mm		
	R619	2001-000281	R-CARBON:1000HM,5%,1/8W,AA,TP			R924	2001-000429	R-CARBON:1kohm,5%,1/8W,AA,TP,1.8x3.2mm		
	R620	2001-000290	R-CARBON:10KOHM,5%,1/8W,AA,TP		...	R925	2001-001035	R-CARBON:91ohm,5%,1/8W,AA,TP,1.8x3.2mm		
	R621	2001-000890	R-CARBON:6.8KOHM,5%,1/8W,AA,TP			R926	2001-000734	R-CARBON:4.7KOHM,5%,1/8W,AA,TP		
	R622	2001-000890	R-CARBON:6.8KOHM,5%,1/8W,AA,TP		...	R927	2001-000837	R-CARBON:51KOHM,5%,1/8W,AA,TP		
	R623	2001-000281	R-CARBON:1000HM,5%,1/8W,AA,TP			R929	2001-000429	R-CARBON:1Kohm,5%,1/8W,AA,TP,1.8x3.2mm		
	R624	2001-000734	R-CARBON:4.7KOHM,5%,1/8W,AA,TP			R930	2001-000429	R-CARBON:1Kohm,5%,1/8W,AA,TP,1.8x3.2mm		
	R625	2001-000429	R-CARBON:1Kohm,5%,1/8W,AA,TP,1.8x3.2mm			R931	2001-000780	R-CARBON:470ohm,5%,1/8W,AA,TP,1.8x3.2mm		
	R626	2001-000734	R-CARBON:4.7KOHM,5%,1/8W,AA,TP			R932	2001-000515	R-CARBON:2200HM,5%,1/8W,AA,TP		
...	R666	2009-000022	R-METAL PLATE:0.47ohm,10%,5W,CL,TP,5x14x			R933	2001-000780	R-CARBON:470ohm,5%,1/8W,AA,TP,1.8x3.2mm		
	R701	2001-000969	R-CARBON:750HM,5%,1/8W,AA,TP,1			R934	2001-000003	R-CARBON:3300HM,5%,1/8W,AA,TP		
	R702	2001-000969	R-CARBON:750HM,5%,1/8W,AA,TP,1			R935	2001-000290	R-CARBON:10KOHM,5%,1/8W,AA,TP		
	R703	2001-000969	R-CARBON:750HM,5%,1/8W,AA,TP,1			R937	2001-000734	R-CARBON:4.7KOHM,5%,1/8W,AA,TP		
	R704	2001-000969	R-CARBON:750HM,5%,1/8W,AA,TP,1			R938	2001-000290	R-CARBON:10KOHM,5%,1/8W,AA,TP		
	R705	2001-000969	R-CARBON:750HM,5%,1/8W,AA,TP,1			R939	2001-001153	R-CARBON(S):470HM,5%,1/2W,AA,T		
	R706	2001-000281	R-CARBON:1000HM,5%,1/8W,AA,TP			R940	2001-000281	R-CARBON:1000HM,5%,1/8W,AA,TP		
	R707	2001-000281	R-CARBON:1000HM,5%,1/8W,AA,TP			R941	2001-000281	R-CARBON:1000HM,5%,1/8W,AA,TP		
	R708	2001-000281	R-CARBON:1000HM,5%,1/8W,AA,TP			R942	2001-000281	R-CARBON:1000HM,5%,1/8W,AA,TP		
...	R709	2001-000938	R-CARBON:68ohm,5%,1/8W,AA,TP,1.8x3.2mm			R943	2001-000429	R-CARBON:1kohm,5%,1/8W,AA,TP,1.8x3.2mm		
	R710	2001-000938	R-CARBON:68ohm,5%,1/8W,AA,TP,1.8x3.2mm			R945	2001-000281	R-CARBON:1000HM,5%,1/8W,AA,TP		
	R715	2001-000290	R-CARBON:10KOHM,5%,1/8W,AA,TP			R946	2001-000515	R-CARBON:2200HM,5%,1/8W,AA,TP		
	R716	2001-000290	R-CARBON:10KOHM,5%,1/8W,AA,TP			R947	2001-000734	R-CARBON:4.7KOHM,5%,1/8W,AA,TP		
	R719	2001-000969	R-CARBON:750HM,5%,1/8W,AA,TP,1			R948	2001-000734	R-CARBON:4.7KOHM,5%,1/8W,AA,TP		
	R723	2001-000281	R-CARBON:1000HM,5%,1/8W,AA,TP			R952	2001-000734	R-CARBON:4.7KOHM,5%,1/8W,AA,TP		
	R730	2001-000281	R-CARBON:1000HM,5%,1/8W,AA,TP			R953	2001-000734	R-CARBON:4.7KOHM,5%,1/8W,AA,TP		
	R731	2001-000281	R-CARBON:1000HM,5%,1/8W,AA,TP			△	..2	RL801S	3501-001040	RELAYPOWER:12VDC,500MW,10A,1FO
...	R802	2003-001025	R-METALOXIDE(S):15KOHM,5%,2W,AA		△	..2	RM901	AA59-60001U	MODULE-REMOCON-;ORC-50VF,38KH	
	R803	2003-001025	R-METALOXIDE(S):15KOHM,5%,2W,AA		△	...	RP801S	2002-001010	R-COMPOSITION:1.8MOHM,10%,1/2W,AA,TP,3	
	R804	2003-001025	R-METALOXIDE(S):15KOHM,5%,2W,AA		△	...	RR01S	2008-000264	R-FUSIBLE(S):10HM,5%,1W,AF,TP	
...	R805	2001-001150	R-CARBON(S):470KOHM,5%,1/2W,AA		△	...	RR02S	2001-000766	R-CARBON:43KOHM,5%,1/8W,AA,TP	
	R806	2001-001150	R-CARBON(S):470KOHM,5%,1/2W,AA		△	...	RR03S	2004-001386	R-METAL(S):16.9KOHM,1%,1/2W,AA,TP,2.4X6.	
...	R807	2003-000746	R-METALOXIDE(S):560HM,5%,2W,AD		△	...	RR04S	2001-000908	R-CARBON:62Kohm,5%,1/8W,AA,TP,1.8x3.2mm	
	R808	2003-000746	R-METALOXIDE(S):560HM,5%,2W,AD		△	...	RR05S	2001-000947	R-CARBON:7.5KOHM,5%,1/8W,AA,TP	
...	R809	2001-000022	R-CARBON(S):330HM,5%,1/2W,AA,T		△	...	RR06S	2001-000977	R-CARBON:8.2Kohm,5%,1/8W,AA,TP,1.8x3.2m	
...	R810	2001-001178	R-CARBON(S):680HM,5%,1/2W,AA		△		RR07S	2001-000290	R-CARBON:10KOHM,5%,1/8W,AA,TP	
...	R811	2001-001135	R-CARBON(S):36KOHM,5%,1/2W,AA		△		RR08S	2001-000429	R-CARBON:1Kohm,5%,1/8W,AA,TP,1.8x3.2mm	
	R812	2001-000780	R-CARBON:470ohm,5%,1/8W,AA,TP,1.8x3.2mm		△		RR09S	2001-000780	R-CARBON:470ohm,5%,1/8W,AA,TP,1.8x3.2mm	
...	R813	2001-001153	R-CARBON(S):470HM,5%,1/2W,AA,T		△		RR10S	2001-000290	R-CARBON:10KOHM,5%,1/8W,AA,TP	
...	R816	2001-001088	R-CARBON(S):1KOHM,5%,1/2W,AA,TP,2.4X6.4		△		RR430S	2001-001088	R-CARBON(S):1KOHM,5%,1/2W,AA,TP,2.4X6.4	
	R817	2001-001088	R-CARBON(S):1KOHM,5%,1/2W,AA,TP,2.4X6.4		△	..2	RW1/FCC	2201-000354	C-CERAMIC,DISC:20PF,5%,50V,NPO	

Electrical Parts List

Level	Loc. No.	Code No.	Description ; Specification	Remark
..2	RW1/OSD	2301-000301	C-FILM,PEF:6.8NF,5%,50V,6.5X5.	
..2	RW2/FCC	2401-000603	C-AL:1UF,20%,50V,GP5X11MM,5MM	
...3	RY802S	2002-001013	R-COMPOSITION:4.7MOHM,10%,1/2W,AA,TP:3.7	
	SH+CW	AA65-30105B	CLAMP-WIRE:NYLON 66,V2,NTR,25MM,ALL MODE	
..2	SH+H/S	AA61-00462B	SUPPORT-HEAT-SINK:21A9,ABS,HB,GRAY	
...3	SW901	3404-000244	SWITCH-TACT:15V,20MA,90-170GF,	
	SW902	3404-000244	SWITCH-TACT:15V,20MA,90-170GF,	
	SW903	3404-000244	SWITCH-TACT:15V,20MA,90-170GF,	
	SW904	3404-000244	SWITCH-TACT:15V,20MA,90-170GF,	
	SW905	3404-000244	SWITCH-TACT:15V,20MA,90-170GF,	
..2	SW906	3404-001004	SWITCH TACT:12V,50MA,160GF8.4X22.7MM	
△	..2	T401	AA26-50001R TRANS HORIZ DRIVE:80MH,580UH,4UH,G11AE11	
△	..2	T444S	AA26-00057A TRANS-FBT:-,FUH-29A001B(S),25/29,130	
△	..2	T801S	AA26-00044C TRANS SWITCHING,CODE-NO,CT-21AB,AC90-260	
△	..2	TU01S	AA40-00021A TUNER-F/S;TCPN3081PA09A(S),NTSC,TR,181CH	
△	..2	V999S	3704-001105 SOCKET-CRT:11P,20PI,26.5PI,NL,-	
△	...3	VP801S	1405-000152 VARISTOR:560V,2500A,14X8.5MM,T	
△		VX801S	1405-000152 VARISTOR:560V,2500A,14X8.5MM,T	
...3	X201	2801-003432	CRYSTAL-UNIT:20.25MHZ,30PPM,28-AAM,13P	
...3	X601	2801-003903	CRYSTAL-UNIT18.432MHZ,25ppm,28AAM,12	
...3	X901	2801-003728	CRYSTAL-UNIT:6MHz,30ppm,28AAM,20pf,40oh	
...3		AA39-10007Y	POWER-CORD:-,EP2/YES,SPT-2 18AWGx2C,2.4m	
...3		AA61-20284A	HOLDER P CORD,PP,VO,BLK,KE-002	

**ASSY ACCESSORY**

1	A/ACCE	AA97-00709A	ASSY ACCESSORY:-,CT25B3,25,KS2A,SEA	
..2	B/WARR	L6000-0031-000	BLOCKWARRANTYCARD:STATEMENTONL	
..2	BATT	4301-000120	BATTERY-MN:1.5V,-,AA	
..2	I/B	AA68-01218A	MANUAL USERS:ENGLISH,W/P100,KS2A,-,-,-,-	

**ASSY-CRT**

1	A/CRTP	AA94-02379A	ASSY-CRT:A63QDB891X,(SAMSUNG CRT),380MG	
..2	CRT	AA03-00157A	CRT COLOR:A63QDB891X,+380MG,SAMSUNG	
..2	C-Y	AA27-00002A	MAGNET-CONVERGENCE:JH291-SC-OB,29.1M	
..2	D-Y	AA27-00027A	DEFLECTION YOKE (DSE2603AL)	
..2	SPACER	AA63-60028A	SPACER-DY:-,NEOPRENE,-,BLK,V0W	

**ASSY-CABINET,FRONT**

1	A/FRNT	AA92-00150A1	ASSY:CABINET,FRONT;TXK2566/7,KS2A,XAA	
..2	BADGE	AA64-70117B	BADGE-BRAND;AL,SS,R2000,25,SILVER CT-633	
..2	CDCOIL	AA65-30107A	CLAMP-D-COIL:NYLON 66,V2,NTR,-,20-22	
..2	CRT+CF	AA60-10050R	SCREW-ASSY:WC,HH,+M5,L31.5,SWR	
..2	CW	AA65-30105A	CLAMP-WIRE:NYLON 66N,VO,NTR,15MM	
..2	CWS	AA65-30018A	CLAMP-WIRE:-,NYLON6.6,-,-,DATL	
..2	D-COIL	AA27-20001W	COIL-DEGAUSSING:-,25,7.5OHM,3	
..2	DRESB	AA65-30018A	CLAMP-WIRE:-,NYLON6.6,-,-,DATL	
..2	F/C	AA64-31346A	CABINET-FRONT:HIPSVOLBK708P	
...3	IL	AA64-40525A	INDICATOR-LED:ACRYLCLR	
..2	INL/AV	AA64-00738F	INLAY AV:KS2A,PS SHEET,-,-,BLK,-,S/T L/	
...3	KC	AA64-10803A	KNOB-CONTROL:ABSHBBLK	
	KC+CF	6002-000514	SCREW-TAPPING:RH,+2,M4,L15,ZP	
...3	KP	AA64-10804A	KNOB-POWER:ABSHBBLK	
..2	L/SPK	AA39-20111B	LEAD-CONNECTOR,ASSY:-,YSH025-0	
..2	PAV+CF	6006-001095	SCREW-ASSY TAPT:WPBH,+M4,L12,ZPC(YEL)	
..2	S-CRT	AA61-40042A	SUPPORT-CRT:-,HIPS,VO,BLK,-,-,	
..2	SPK	3001-001038	SPEAKER:6W;16OHM,92DB,140HZ	
..2	SPK+CF	6002-000514	SCREW-TAPPING:RH,+2,M4,L15,ZP	
...3	SPRING	AA61-60003J	SPRING-CS:-,-,SUS304,0.5,OD6,H	
..2	STOPPER	AA61-40113A	STOPPER-PCB:-,ABS,HB,NTR	
...3	WIN+CF	6002-000514	SCREW-TAPPING:RH,+2,M4,L15,ZP	
...3	WR	AA64-40524A	WINDOW-REMOTE:PCVIOLET	

**ASSY CABINET(COM)**

1	A/BACK	AA92-00404A	ASSY CABINET(COM);CT25B7,KS2A,USA,25	
..2	AC+BC	AA65-30008A	CLAMP-CORD:-,PE,HB,BLK,-,-	
..2	B/C	AA64-01293A	CABINET BACK:TXK2566/67,CT25B7,HIPS,VO,B	
..2	C/WIRE	AA65-30018A	CLAMP-WIRE:-,NYLON6.6,-,-,DATL	
	CB+CF	6002-000514	SCREW-TAPPING:RH,+2,M4,L15,ZP	
..2	FBT	AA65-30109A	CLAMP-FBT:NYLON-66,V2,BLK,-,-,-	
..2	H/T	AA61-00356B	HOLDER-TUNER,F/JACK:-,501F,ABS,HB,BLK,-	
..2	INLAYB	AA64-00892B	INLAY BACK:D2,D3,RCA9PPS SHEET,T0.3,BLK	
..2	RCA+CB	6002-000514	SCREW-TAPPING:RH,+2,M4,L15,ZP	
..2	SPCBC	AA63-60001X	SPACER-FELT:-,FELT,T0.5,-,-,330X	

**ASSY-PCB,A/V**

1	A/A-V	AA98-00081A	ASSY-PCB,A/V;FRONT,KS2A	
..2	00VER	AA41-00320A	PCB-AV FRONT:CL568B,FR-1,1LA,1.6T,245x2	
..2	A/V	AA95-00759A	ASSY-PCB,A/V FRONT,KS2A	
..2	CA02	2202-000121	C-CERAMIC,MLC-AXIAL:100PF,10%,	
	CA03	2202-000121	C-CERAMIC,MLC-AXIAL:100PF,10%,	
..2	CA04	2202-000720	C-CERAMIC,MLC-AXIAL:8.2nF,20%,16V,Y5R,TP	
	CA05	2202-000720	C-CERAMIC,MLC-AXIAL:8.2nF,20%,16V,Y5R,TP	
..2	CA06	2401-003102	C-AL:100uF,20%,10V,GPTP5x11.5	
	CA07	2401-003102	C-AL:100uF,20%,10V,GPTP5x11.5	
..2	CN01A	AA39-20068E	LEAD CONNECTOR-ASSY:-,YBNH025-08,67096-0	
..2	CN05A	AA39-20069D	LEAD-CONNECTOR,ASSY:-,YBNH025-	
..2	JE01	3722-000143	JACK-PHONE:1P3.4MM,-,MBAG	
..2	JR01	3722-001031	JACK-RCA:3P3.6MM,#18,AU	
..2	LA04	2701-000180	INDUCTOR-AXIAL:33UH,5%,2.5X3.4	
	LA05	2701-000180	INDUCTOR-AXIAL:33UH,5%,2.5X3.4	
..2	RA01	2001-000028	R-CARBON(S):100OHM,5%,1/2W,AB,	
	RA02	2001-000028	R-CARBON(S):100OHM,5%,1/2W,AB,	

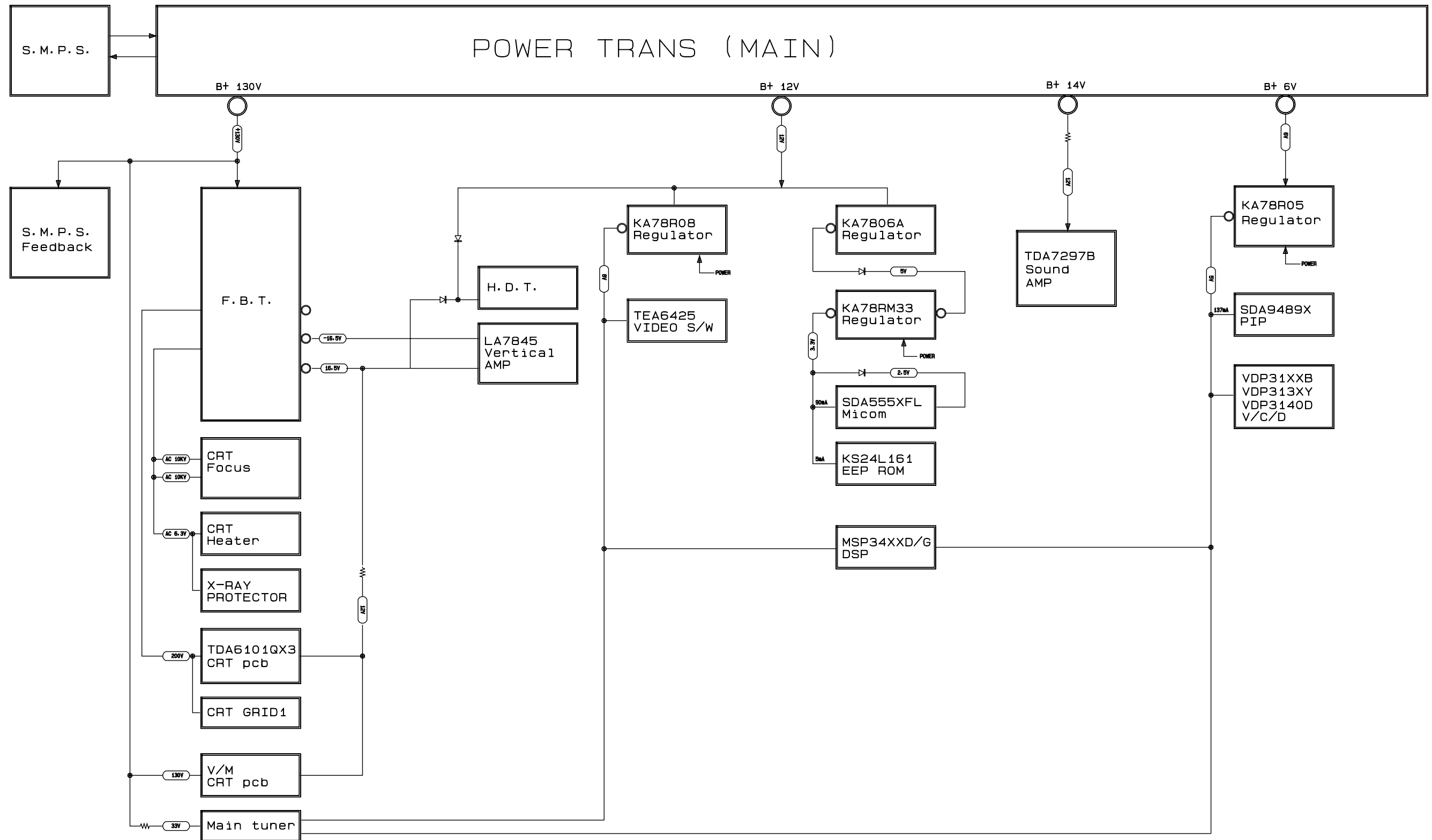
**REMOCON**

1	RMT	AA59-00153A	REMOCON:DP,TM58,AA59-00141A,-,-,-,-,-,-,-,-	
---	-----	-------------	---	--

## 8. Block Diagrams

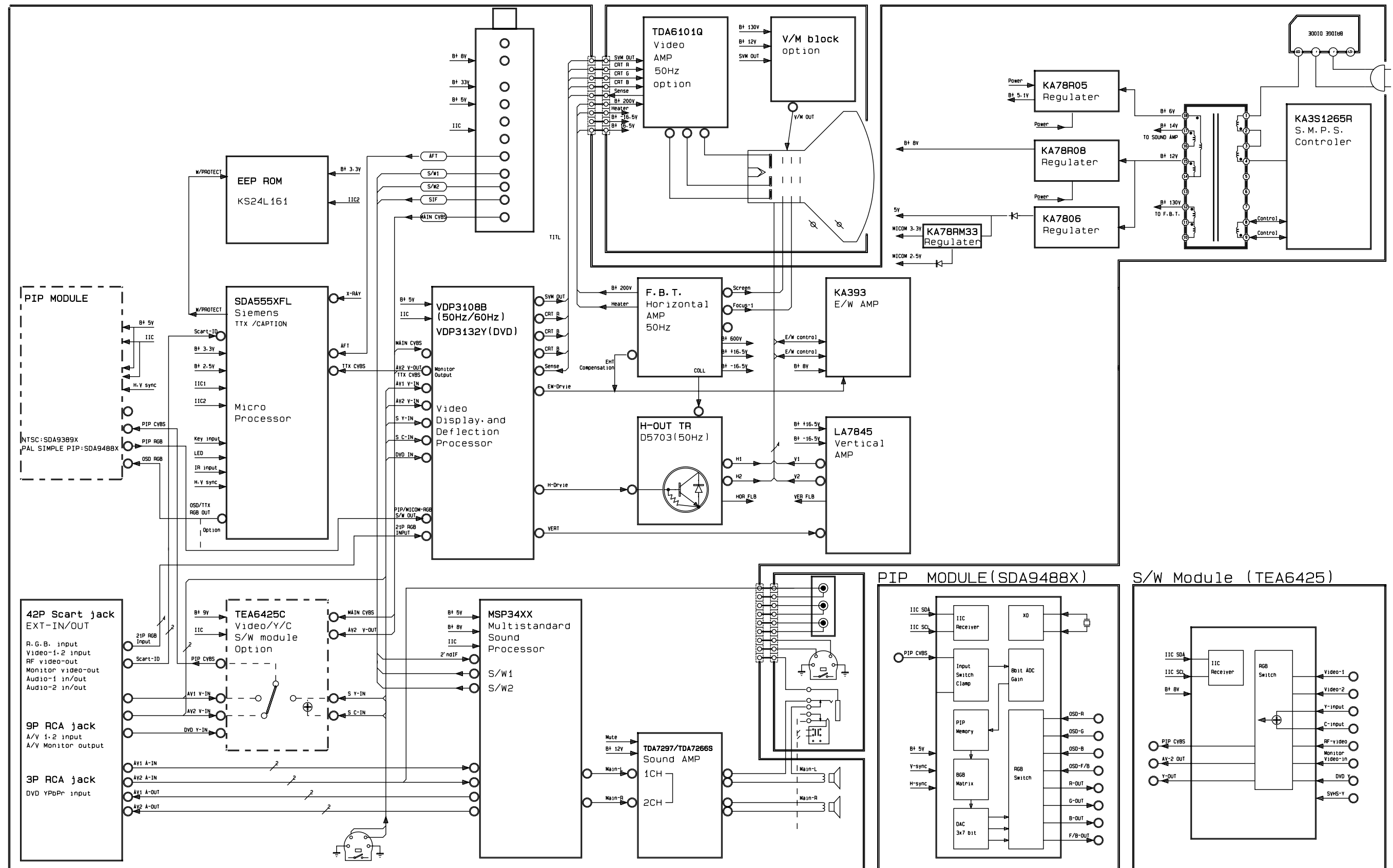
### 8-1 Power Diagram

KS2A POWER DIAGRAMS

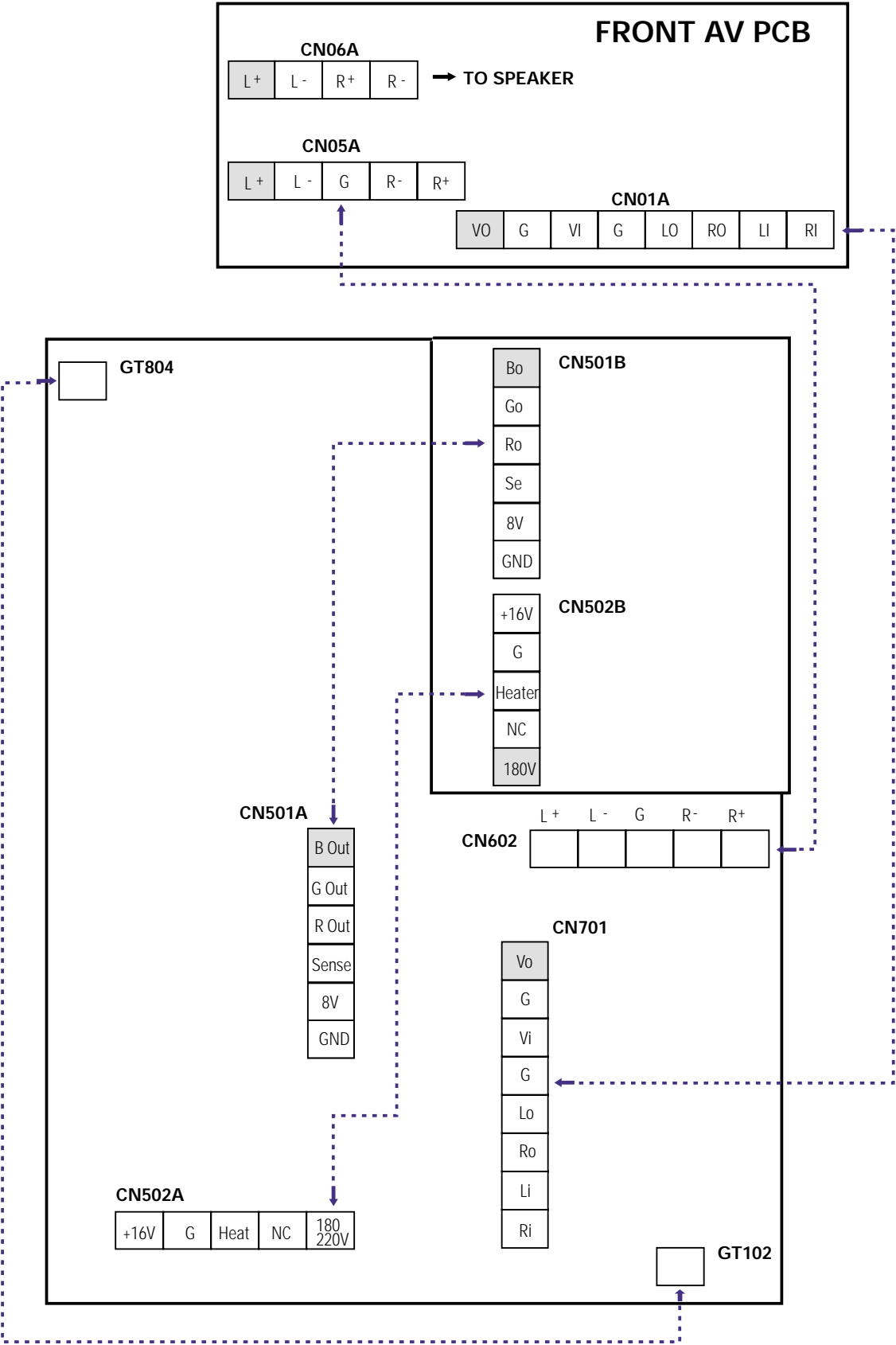


## 8-2 Block Diagram

KS2A POWER DIAGRAMS



# 9. Wiring Diagram

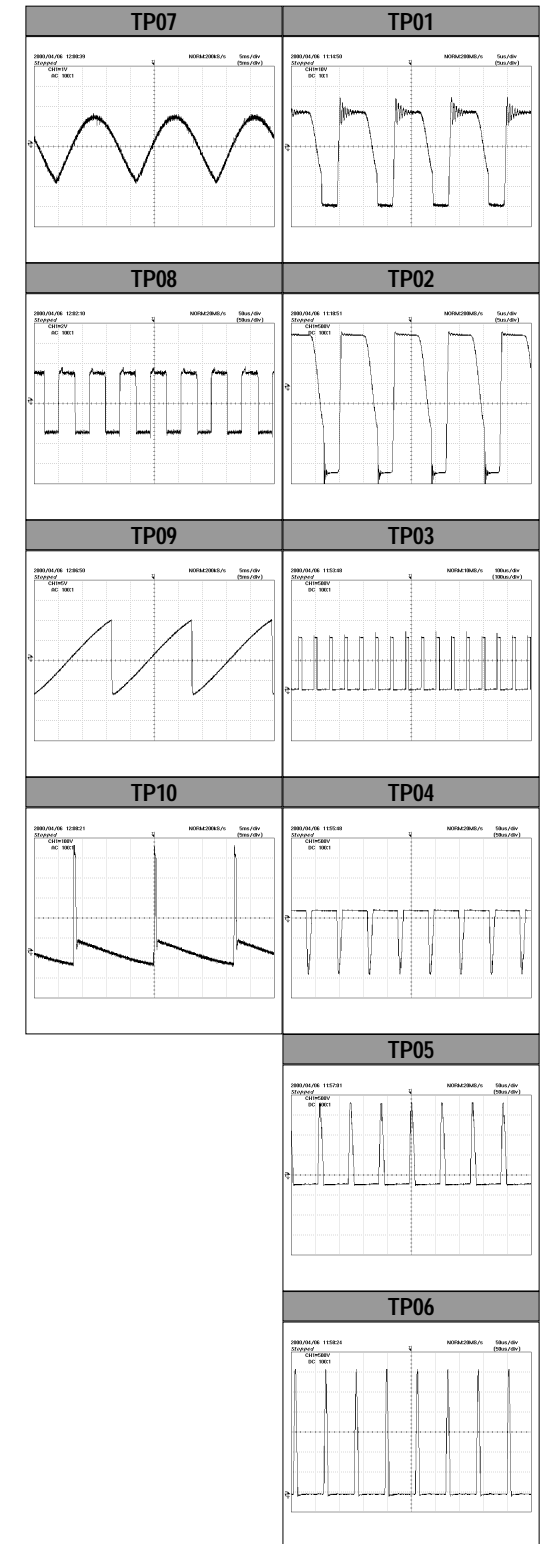
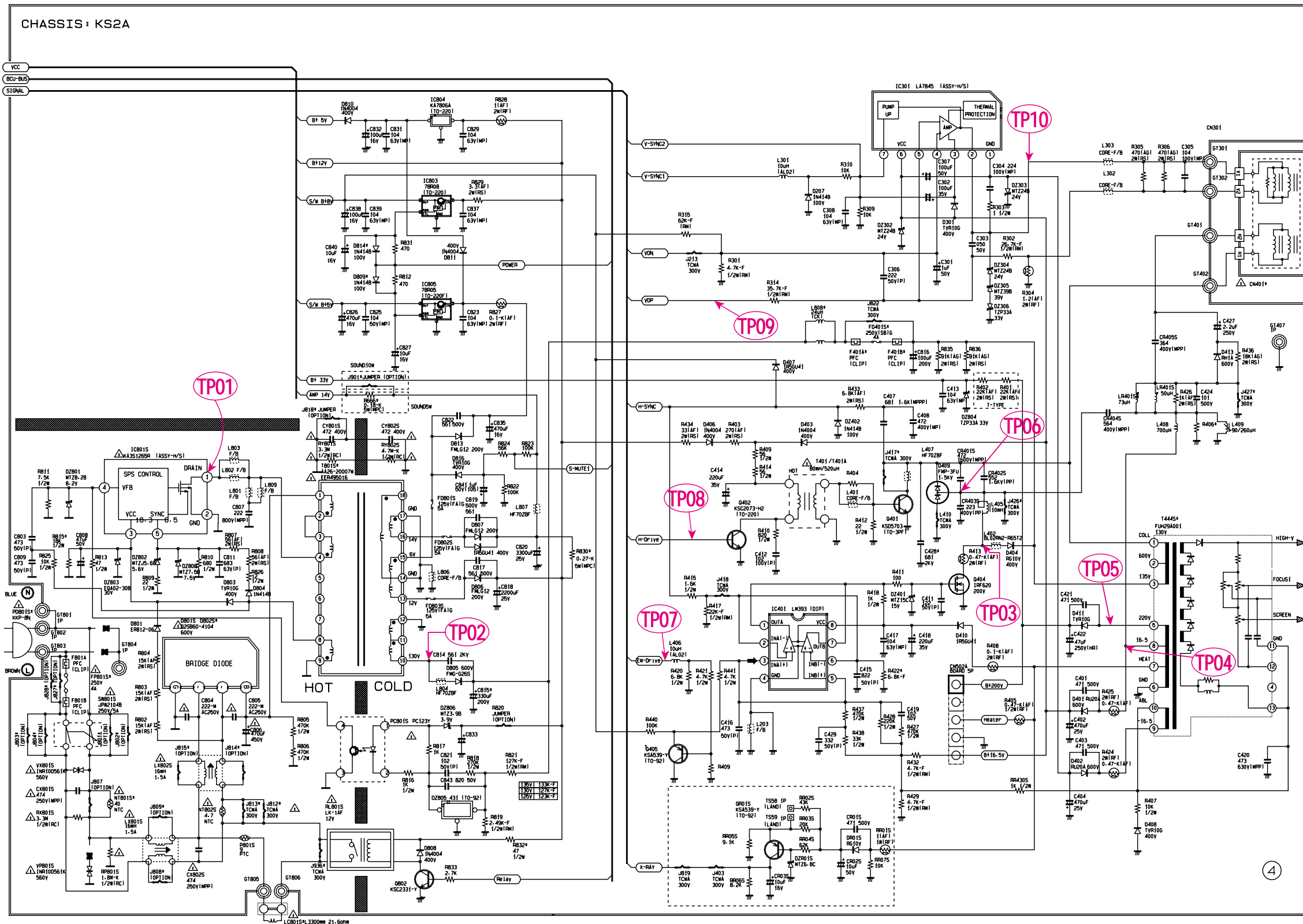




# MEMO

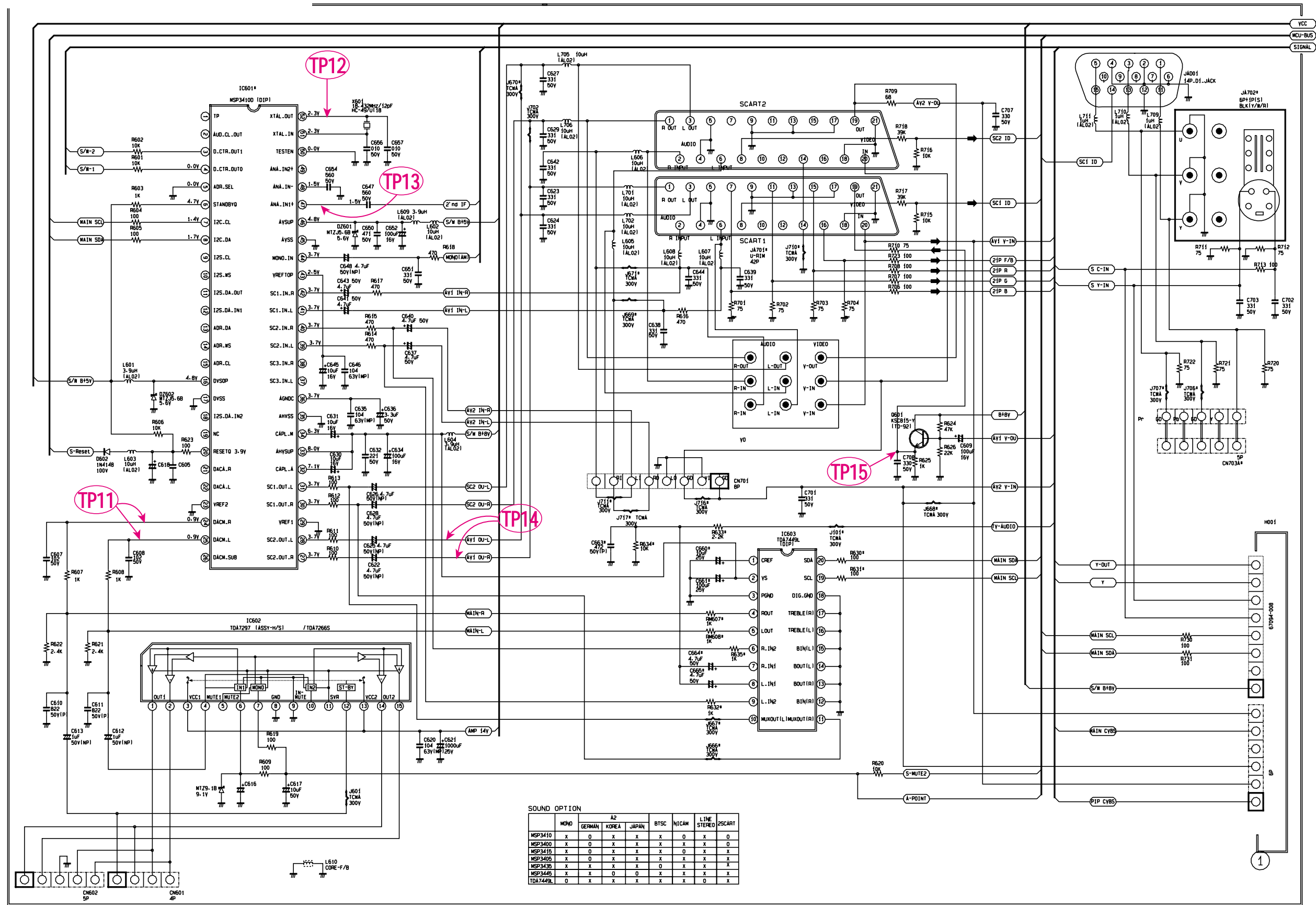
# 10. Schematic Diagrams

## 10-1 MAIN 1/4 (WITH EW)



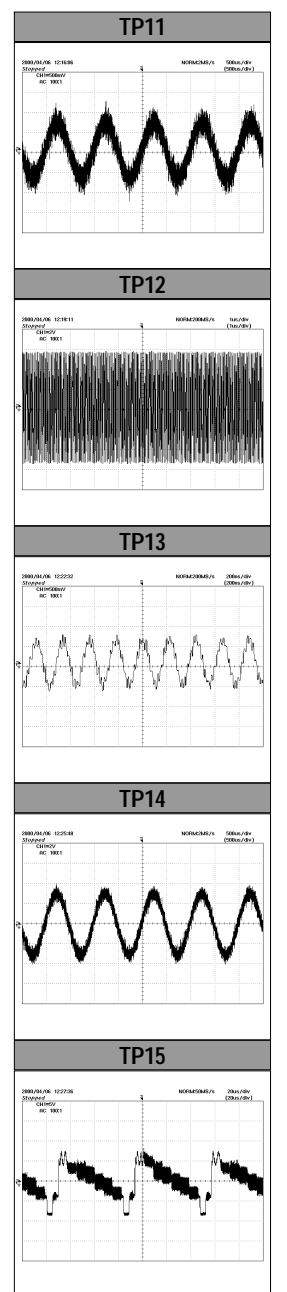
— : Power Line  
— : Signal Line

10-2 MAIN 2/4



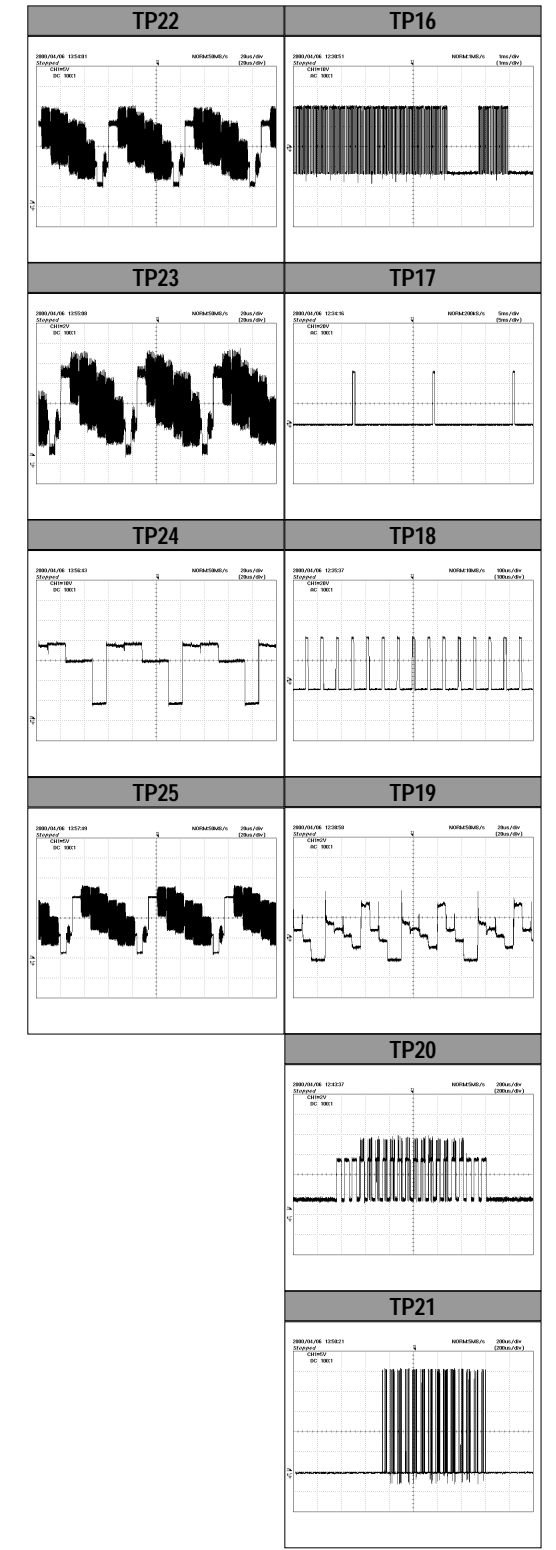
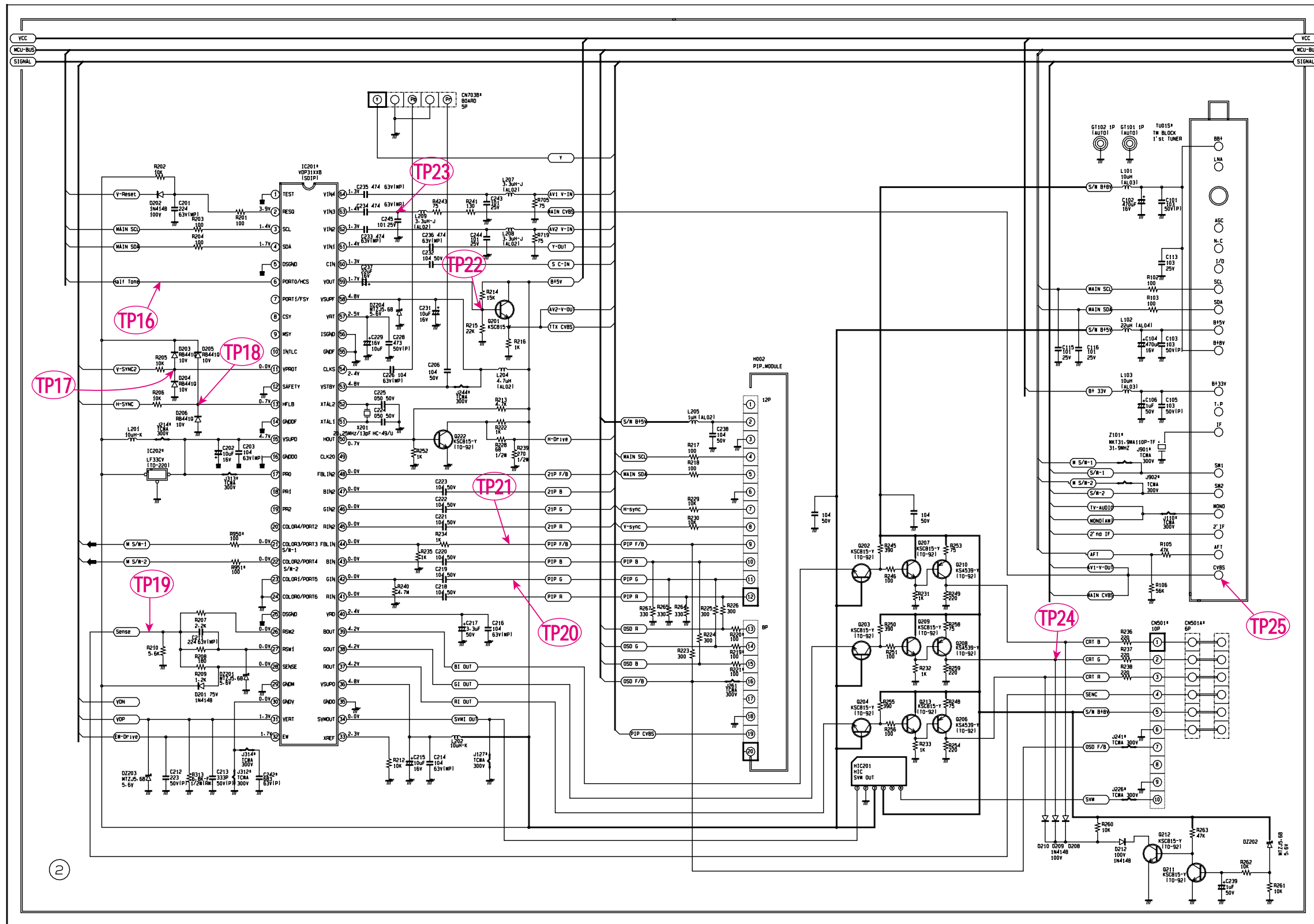
SOUND OPTION

	MONO	GERMAN	A2 KOREA	JAPAN	BTSC	NICAM	LINE STEREO	SCART
MSP3410	X	0	X	X	X	0	X	0
MSP3400	X	0	X	X	X	X	X	0
MSP3415	X	0	X	X	X	0	X	X
MSP3425	X	0	X	X	X	X	X	X
MSP3435	X	X	X	X	0	X	X	X
MSP3445	X	X	0	0	X	X	X	X
TDA7449L	0	X	X	X	X	X	0	X



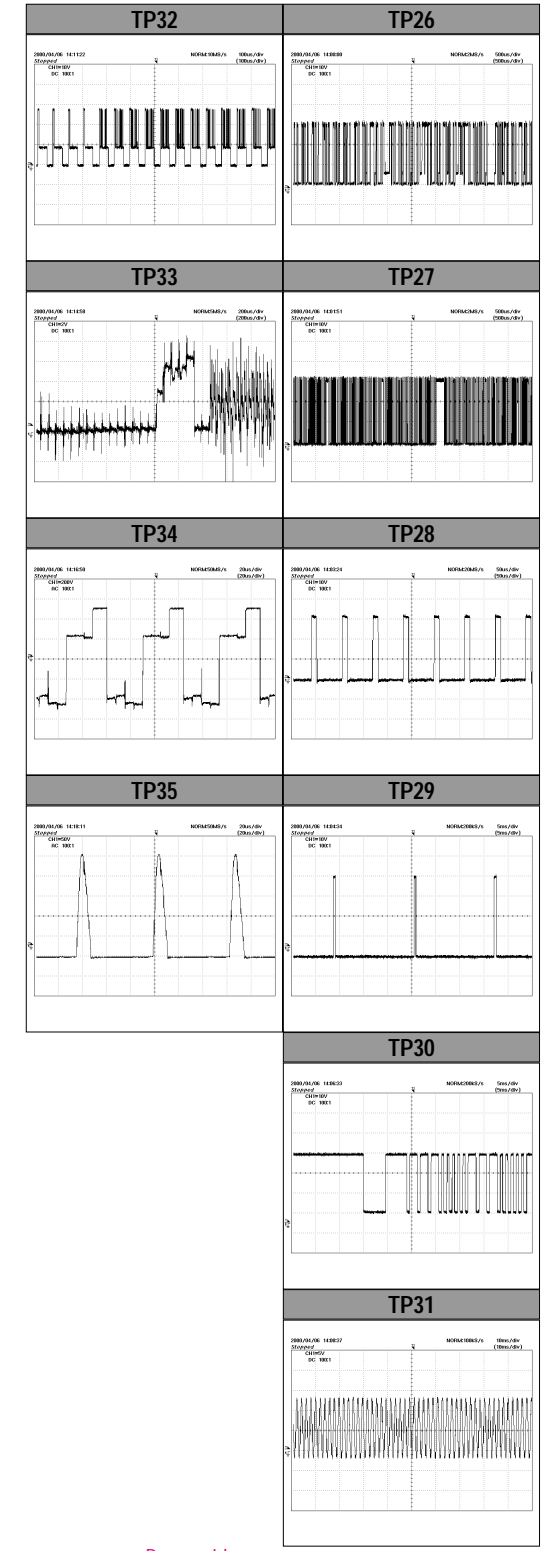
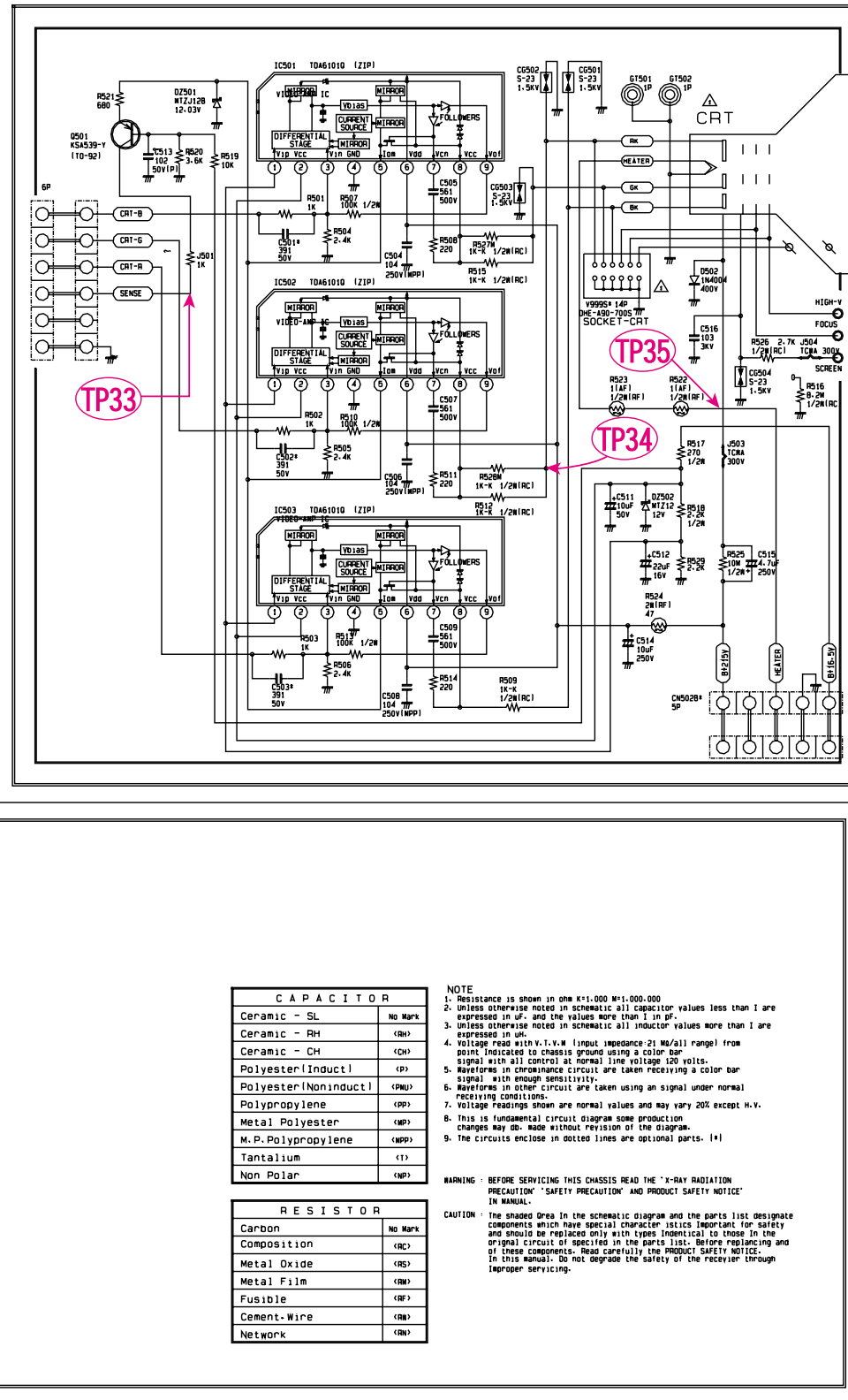
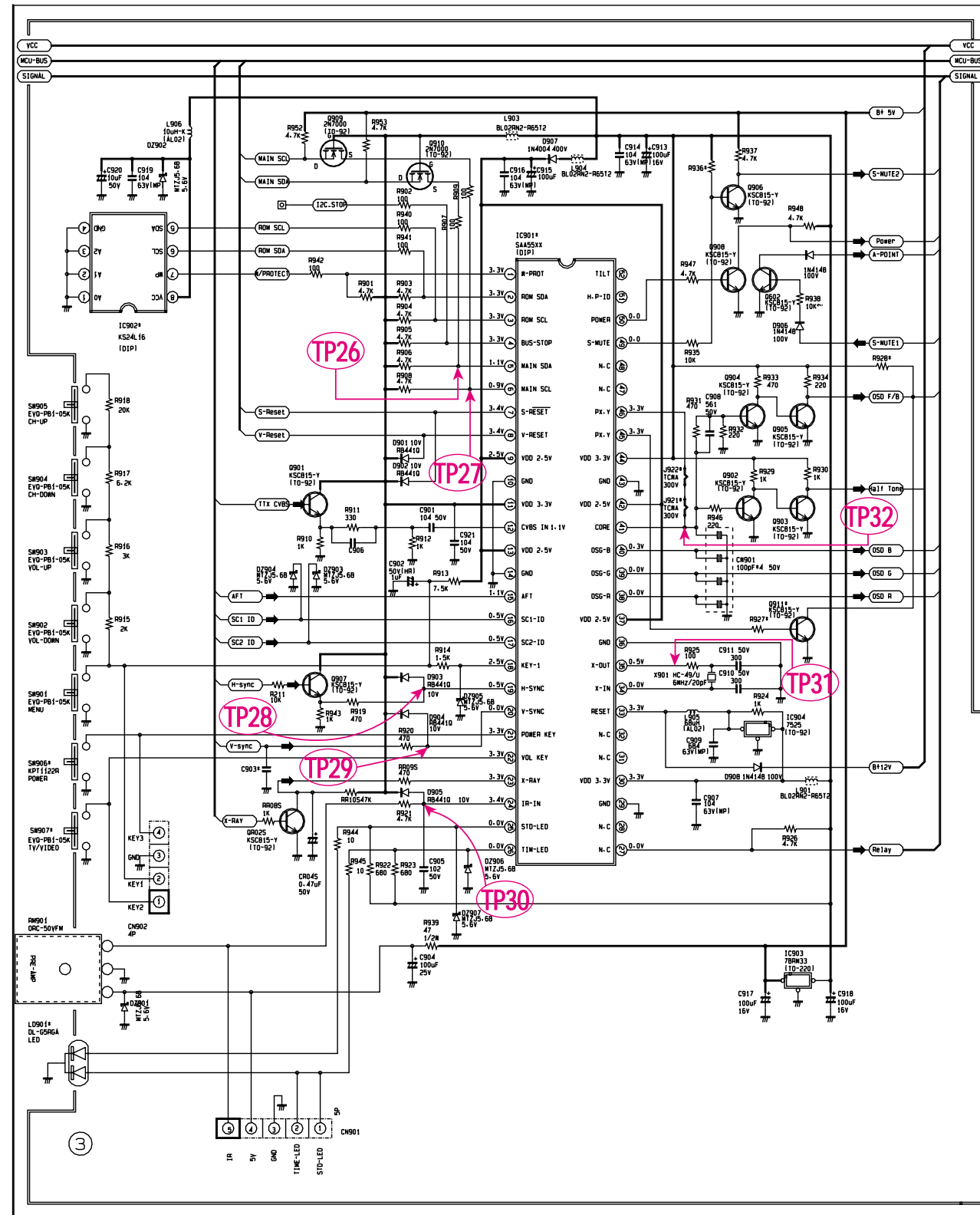
— : Power Line  
 — : Signal Line

10-3 MAIN 3/4



— : Power Line  
 — : Signal Line

# 10-4 MAIN 4/4



CAPACITOR	
Ceramic - SL	NO MARK
Ceramic - RH	(RH)
Ceramic - CH	(CH)
Polyester (Induct)	(P)
Polyester (Noninduct)	(PM)
Polypropylene	(PP)
Metal Polyester	(MP)
M. P. Polypropylene	(MPP)
Tantalum	(T)
Non Polar	(NP)

RESISTOR	
Carbon	NO MARK
Composition	(RC)
Metal Oxide	(RS)
Metal Film	(RM)
Fusible	(RF)
Cement-Wire	(RW)
Network	(RN)

**NOTE**

1. Resistance is shown in ohm K=1,000 M=1,000,000
2. Unless otherwise noted in schematic all capacitor values less than 1 are expressed in pF, and the values more than 1 in  $\mu$ F.
3. Unless otherwise noted in schematic all inductor values more than 1 are expressed in  $\mu$ H.
4. Voltage read with v.t.v.m (input impedance  $\geq 1$  M $\Omega$ ) range from point indicated to chassis ground using a color bar signal with all control at normal line voltage 120 volts.
5. Waveforms in chrominance circuit are taken using a signal under normal receiving conditions.
6. Waveforms in other circuits are taken using a signal under normal receiving conditions.
7. Voltage readings shown are normal values and may vary 20% except H.v.
8. This is fundamental circuit diagram some production changes may be made without revision of the diagram.
9. The circuits enclosed in dotted lines are optional parts. (1)

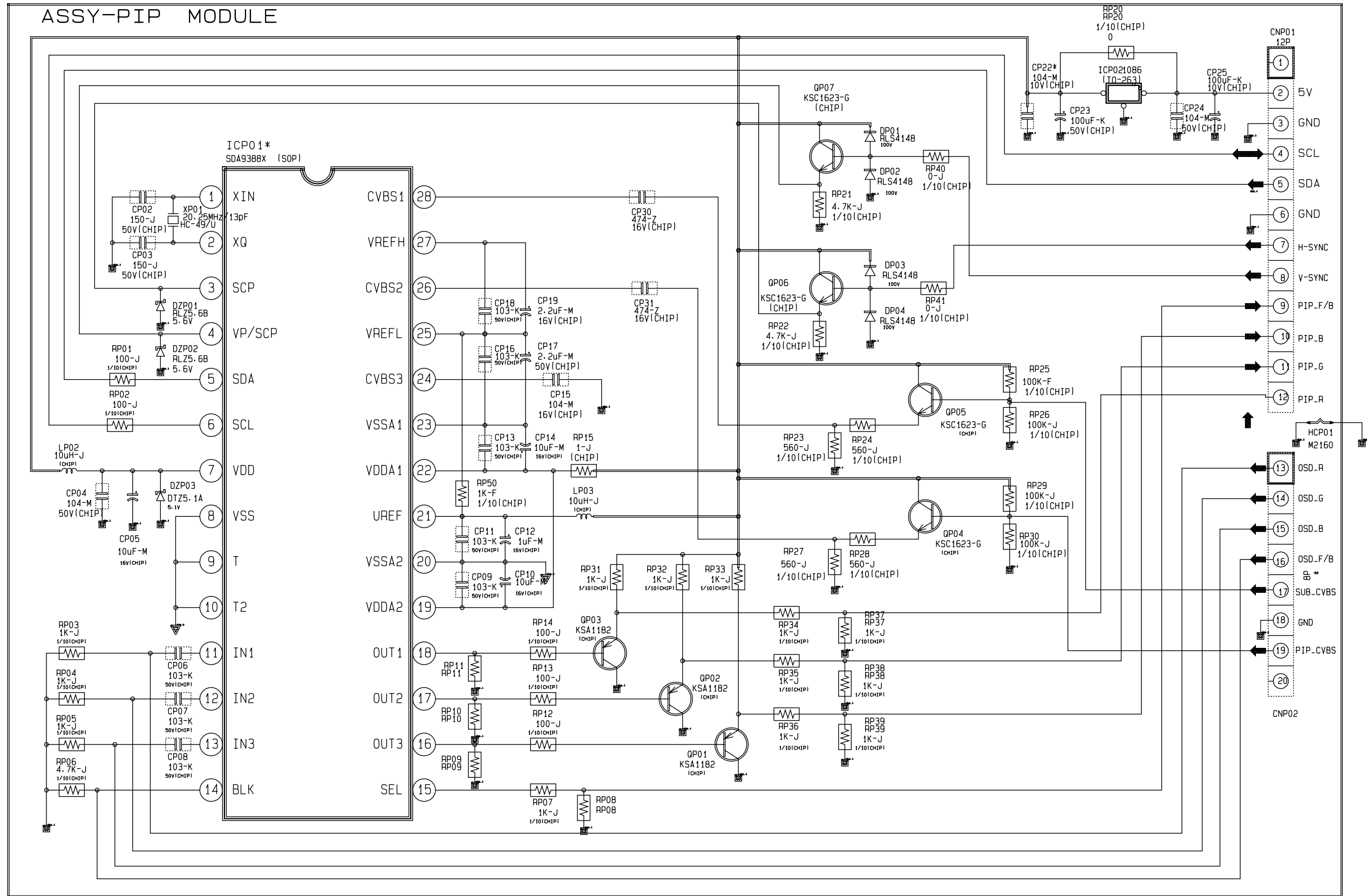
**WARNING** BEFORE SERVICING THIS CHASSIS READ THE "X-RAY RADIATION PRECAUTION" "SAFETY PRECAUTION" AND "PRODUCT SAFETY NOTICE" IN MANUAL.

**CAUTION** The shaded area in the schematic diagram and the parts list designate components which have special characteristics important for safety and should be replaced only with types identical to those in the original circuit of specification in the parts list. Before replacing any of these components, read carefully the "PRODUCT SAFETY NOTICE" in this manual. Do not degrade the safety of the receiver through improper servicing.

— : Power Line  
— : Signal Line



10-6 PIP



10-7 VIDEO SWITCH

